

# CONTENTS

AUSTRALIA PATIO AWNING.....	3
AWNING JAMAICA.....	10
AWNING JAMAICA VOLANT.....	18
AWNING PALLADIO.....	27
AWNING DAKAR.....	34
AWNING CASABLANCA.....	39
AWNING CORSICA.....	44
AWNING ITALIA HANDRAIL.....	50
AWNING ITALIA.....	55
ITALIA CASSETTE AWNING.....	60
AWNING BORA.....	65
ADDITIONAL INFORMATION.....	70

# AUSTRALIA PATIO AWNING

## AWNING AUSTRALIA

Australia is ideal for large terraces. Thanks to its simple design and robust construction, it is also suitable for commercial premises. The awning's folding arms are mounted on die-cast aluminium brackets. The precision of the arm joints and the use of a durable Flyer chain ensure the awning's durability and reliable operation. The central support for the roller tube compensates for tube deflection in wide awnings, ensuring good fabric tension. The structure is based on a square steel beam, which allows some flexibility in choosing where to mount the brackets and makes the awning very easy to install. The awning structure is powder-coated in white, beige, brown, graphite or silver with a graphite finish. A kit for cross-arms is available.

## APPLICATION:

Sun protection and shading.

## PRODUCT CHARACTERISTICS:

- Extruded aluminium structure
- Flyer chains in the arms
- Square support beam
- Winding tube support for large widths
- The load-bearing beam facilitates system installation
- The design allows for installation even in confined spaces
- Simple operation using fully automated controls
- Telescopic supports available
- Set of cross arms with a maximum reach of 310 cm

## TECHNICAL PARAMETERS:

- |                               |                                    |
|-------------------------------|------------------------------------|
| · Colour scheme               | RAL                                |
| · Electric drive              | YES                                |
| · Manual drive                | YES                                |
| · Maximum width               | 7000 mm                            |
| · Maximum projection          | 3600 mm                            |
| · Cassette                    | NO                                 |
| · Canopy option               | NO                                 |
| · Tilt angle                  | 5°-60°                             |
| · Steel reel                  | Ø70 this 4100 mm, Ø78 from 4101 mm |
| · Sheathing                   | 150 patterns                       |
| · Valance                     | YES (Standard 21 cm)               |
| · Telescopic support Standard | YES                                |
| · Telescopic support Plus     | YES                                |

WEIGHT OF THE AUSTRALIA AWNING (kg)

Projection (mm)	Width (mm)							
	2 pcs. brackets		3 pcs. brackets		4 pcs. brackets		5 pcs. brackets	
	1950-2900	2901-3500	3501-4100	4101-4700	4701-5300	5301-5900	5901-6500	6501-7000
1600	42	42,5	46,5	53	58,5	69	71	77
2100	from 2450 → 45	44,5	48	54	59	74,5	76	82
2600		from 2950 → 45,5	51	58,5	63	75	78,5	82
3100		from 3450 → 45,5	54,5	60,5	66	72	85	89
3600			from 3950 → 60	65,5	72	75,5	82	95

Ceiling mount = 0.6 kg, rafter mount = 2.5 kg, cross arm = 2.0 kg

## TECHNICAL SUPPLEMENT – AWNINGS

NUMBER OF WALL BRACKETS				
AUSTRALIA	Awning width (mm)			
	0-3500	3501-4700	4701-5900	5901-7000
<b>Number of brackets</b>	2	3	4	5

**Note!**

It is recommended to install the end wall brackets at a distance of 20 to 45 cm from the ends of the awning, with the remaining brackets spaced at equal intervals.

POSITIONING OF ARM BRACKETS										
AUSTRALIA		Total awning width (including end caps, covers, etc.) (mm)								
		0-2300	2301-2900	2901-3500	3501-4100	4101-4700	4701-5300	5301-5900	5901-6500	6501-7000
<b>Projection (mm)</b>	1600	from 1950→ 70	100	400	700	700	700	700	700	700
								2570	2570	2570
	2100		from 2450→ 100	100	400	500	600	400	500	600
								2770	2870	2970
	2600			from 2950→ 100	300	400	600	400	500	600
								3270	3370	3470
	3100			from 3450→ 100	100	300	600	700	300	500
									3670	3870
	3600				from 3950→ 100	100	400	700	700	300
										4170

A third arm is added

The third arm is positioned in accordance with the lower dimension of the green area.

For the right-hand third arm, the measurement is taken from the left-hand side, and for the left-hand third arm, from the right-hand side

**Note!**

Due to the need for adjustment, a tolerance of up to 20 mm is permitted for the positioning of components.

Position of the 3rd arm bracket in the awning = distance of 1 bracket in the awning from the edge of the awning + arm projection + 270 mm measured from the right-hand side for the left arm or from the left-hand side for the right arm.

POSITIONING OF THE ROLLER TUBE BRACKETS				
AUSTRALIA		Width (mm)		
		0-4100	4101-4700	4701-7000
<b>Projection (mm)</b>	2100	from 2450→	centre or centre ±590	centre ±590 or centre ±1180
	2600	from 2950→		
	3100	from 3450→		
	3600	from 3950→		

Only one roller tube support

Two support brackets for the reel

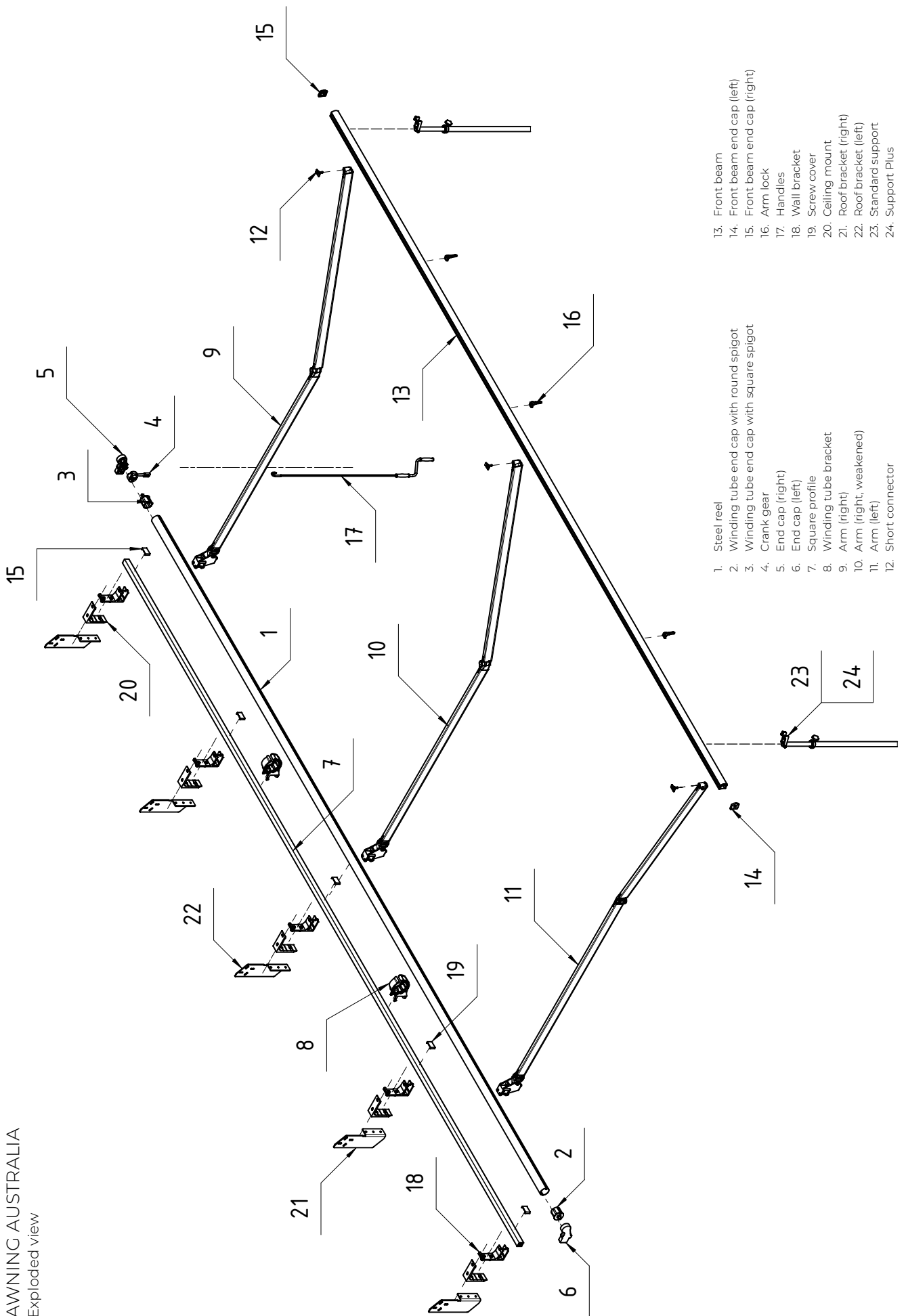
**Note!**

Number of winding tube supports:

Width (mm) 0–4100 = 0 supports, width (mm) 4101–4700 = 1 support, width (mm) 4701–7000 = 2 supports.

Due to the need for adjustment, a tolerance of up to 100 mm is permitted for the positioning of components.

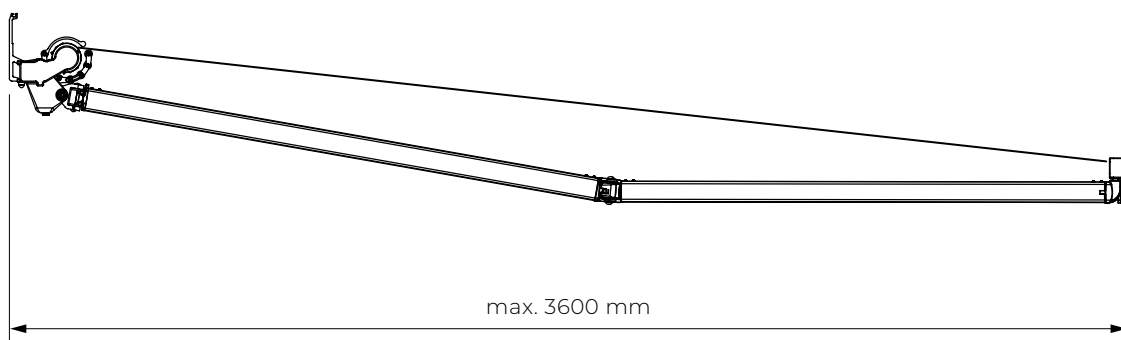
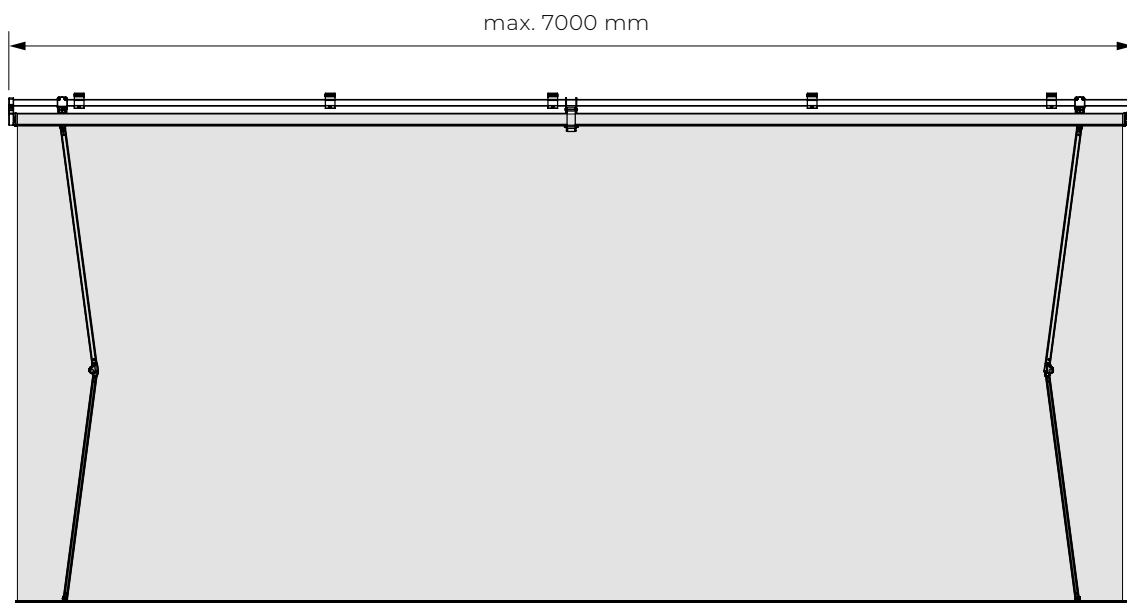
AWNING AUSTRALIA  
Exploded view



- 1. Steel reel
- 2. Winding tube end cap with round spigot
- 3. Winding tube end cap with square spigot
- 4. Crank gear
- 5. End cap (right)
- 6. End cap (left)
- 7. Square profile
- 8. Winding tube bracket
- 9. Arm (right)
- 10. Arm (left)
- 11. Arm (right, weakened)
- 12. Short connector
- 13. Front beam
- 14. Front beam end cap (left)
- 15. Front beam end cap (right)
- 16. Arm lock
- 17. Handles
- 18. Wall bracket
- 19. Screw cover
- 20. Ceiling mount
- 21. Roof bracket (right)
- 22. Roof bracket (left)
- 23. Standard support
- 24. Support Plus

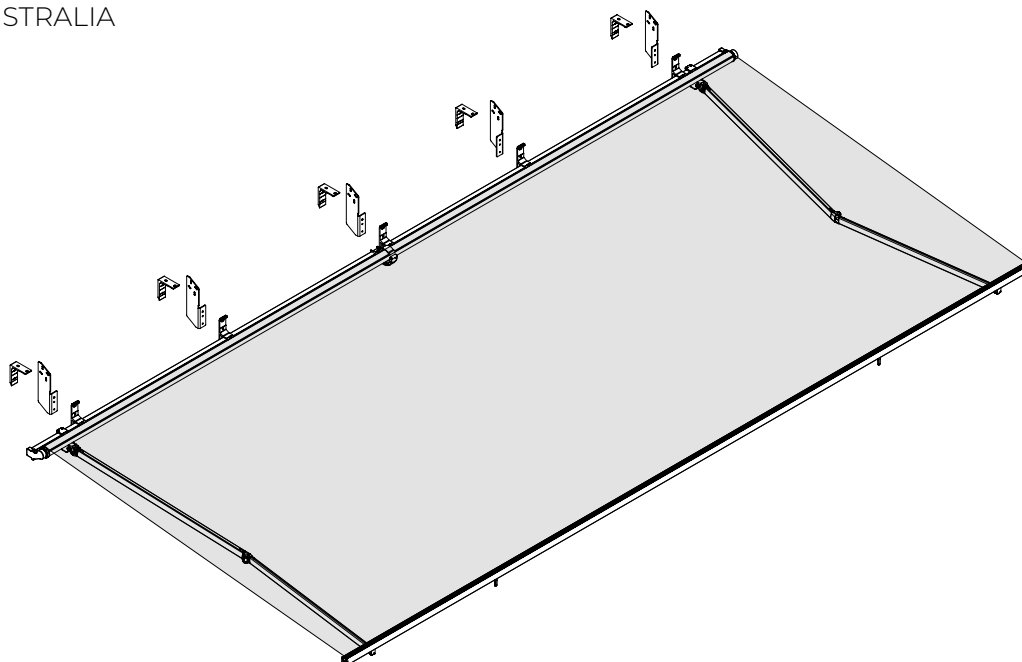
AWNING AUSTRALIA

Maximum projection



AWNING AUSTRALIA

Isometric view

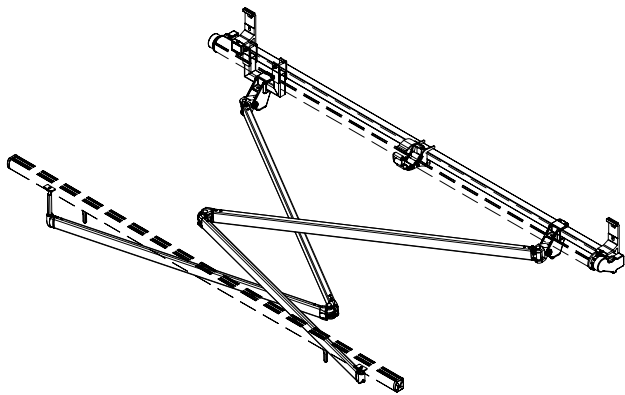


AWNING AUSTRALIA

Cross arms (optional)

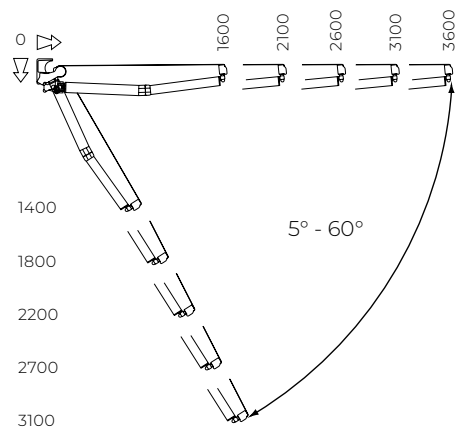
Note

The minimum width of the awning with a set of cross arms is the arm projection minus 400 mm. They cannot be used with a projection of 3600.



AWNING AUSTRALIA

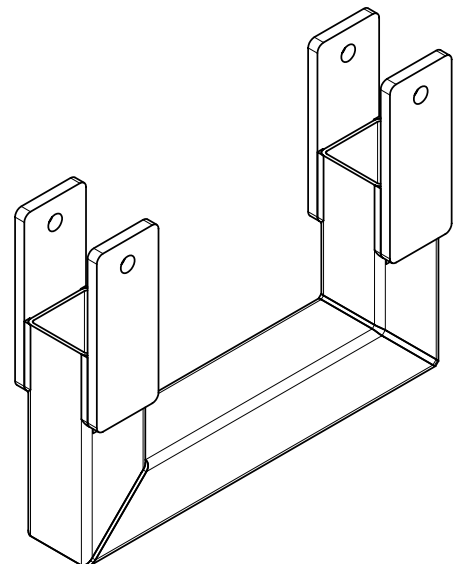
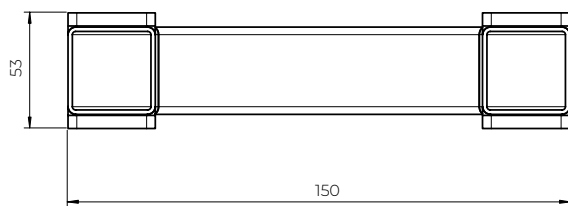
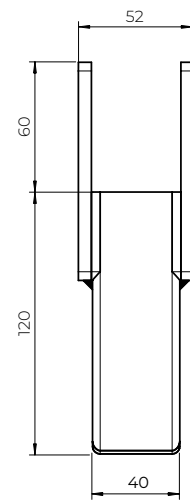
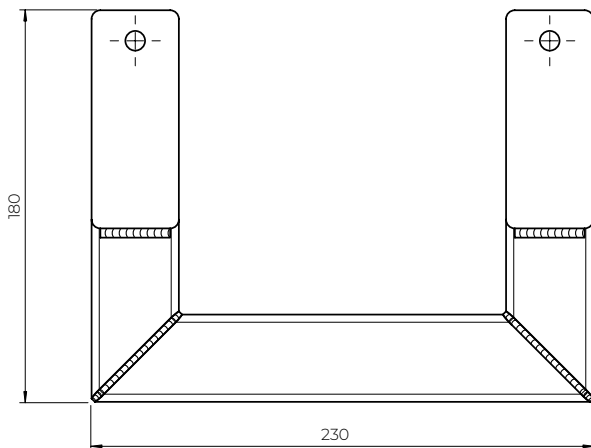
Tilt angle



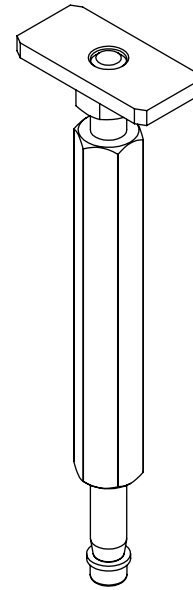
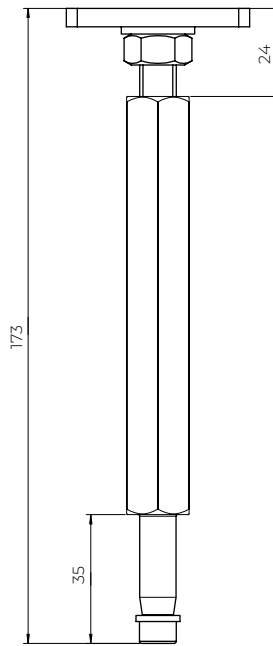
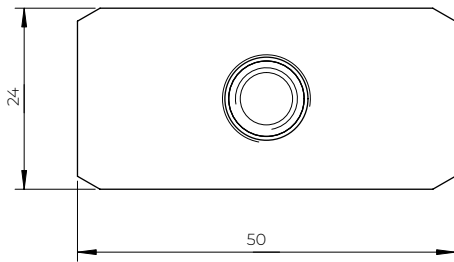
Cross-arm bracket

Australia

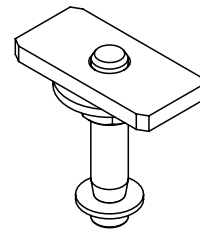
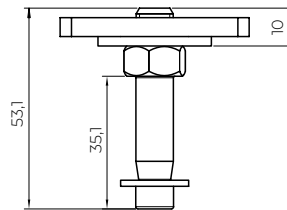
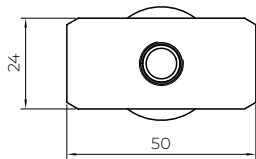
Silver Plus



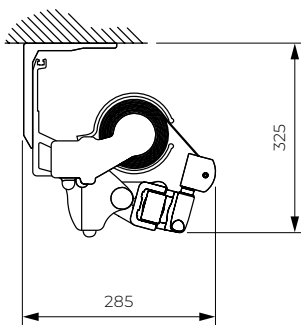
AWNING AUSTRALIA  
Cross-arm connector



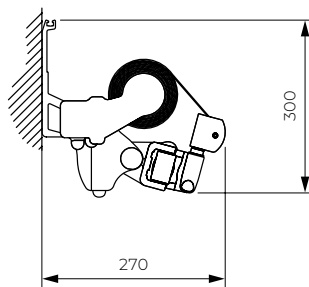
AWNING AUSTRALIA  
Small connector



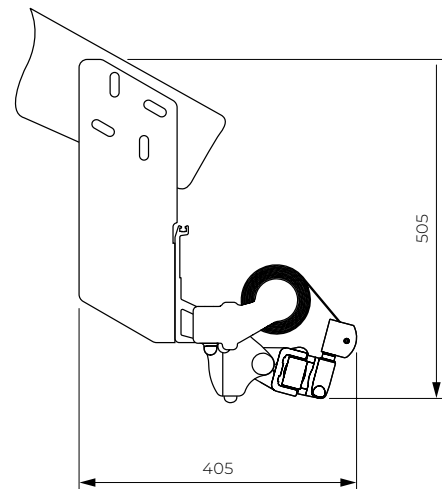
AWNING AUSTRALIA  
Installation methods



Ceiling installation



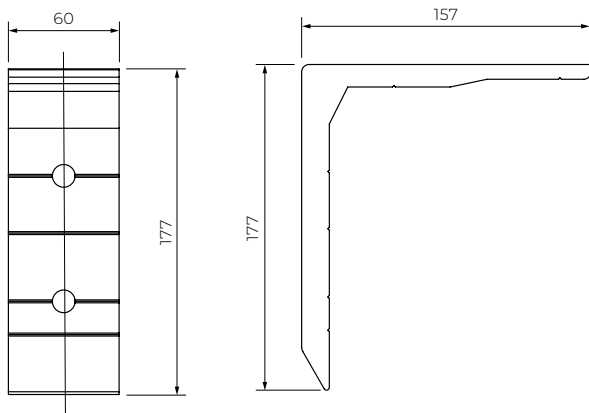
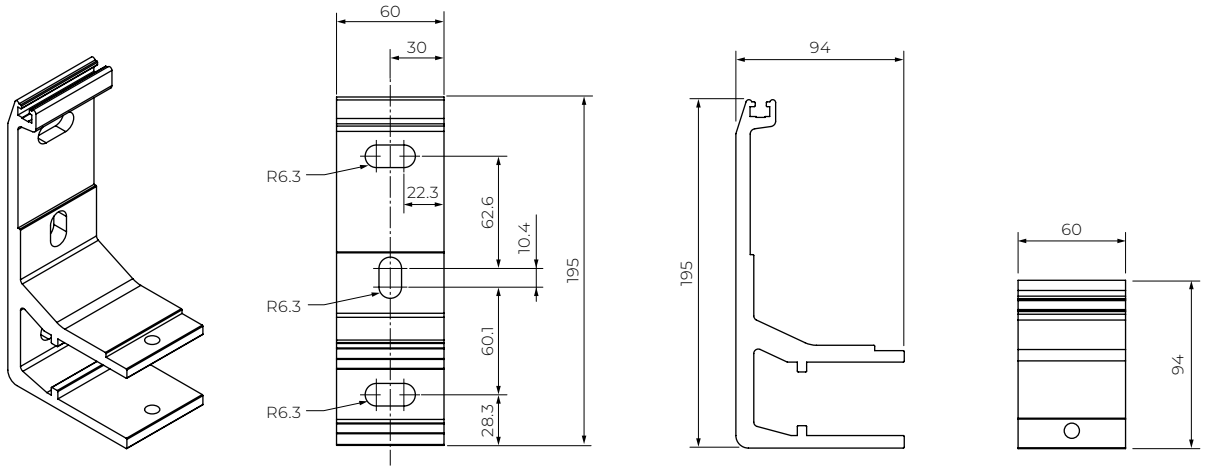
Wall mounting



Mounting to roof rafters

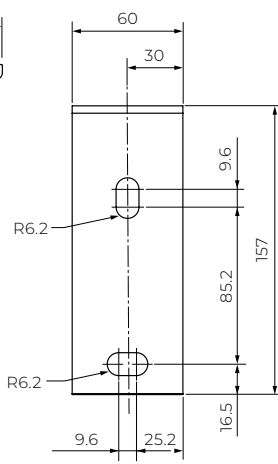
AWNING AUSTRALIA  
Wall bracket

Australia  
Corsica  
Silver Plus  
Jamaica  
Jamaica  
Volant  
Palladio



AWNING AUSTRALIA  
Ceiling mount

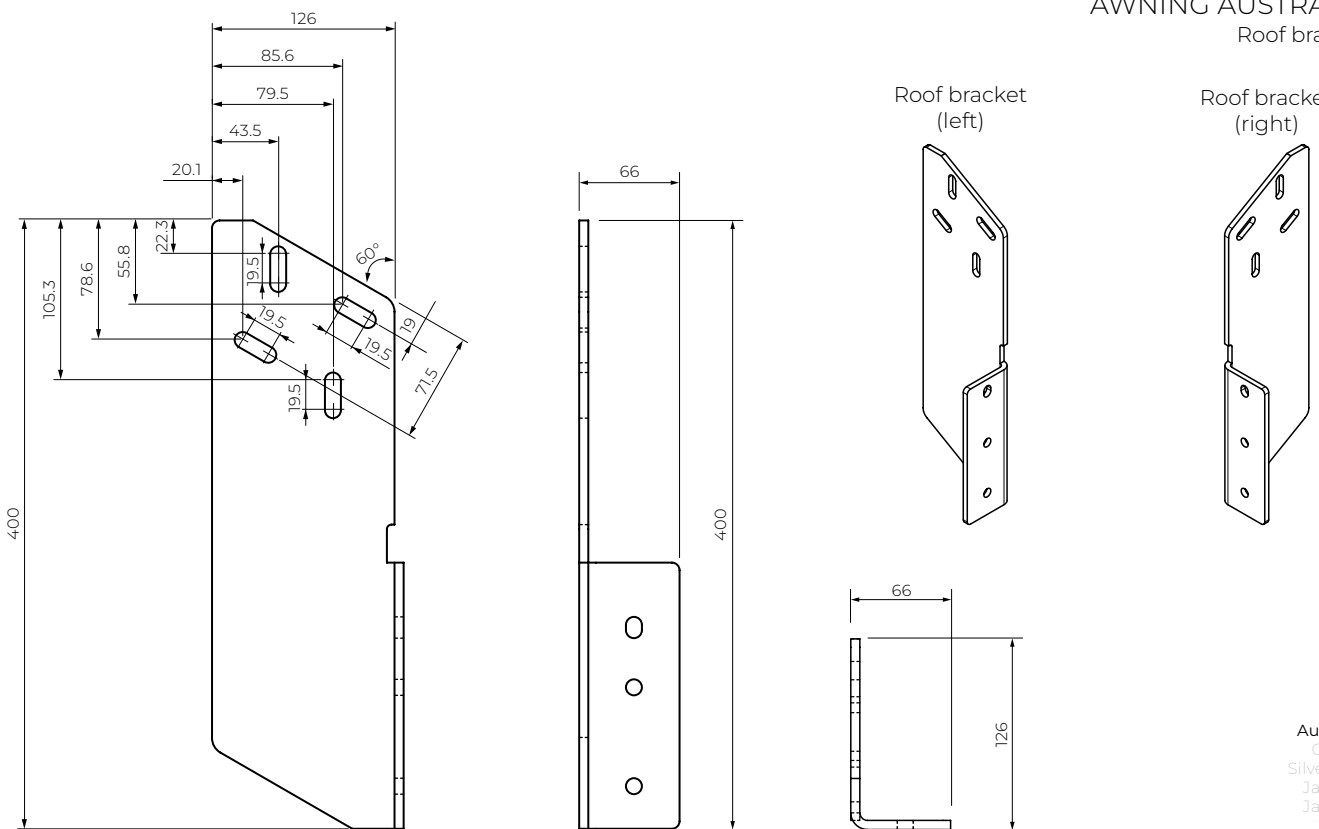
Australia  
Corsica  
Silver Plus  
Jamaica  
Jamaica  
Volant  
Palladio



AWNING AUSTRALIA  
Roof bracket

Roof bracket  
(left)

Roof bracket  
(right)



Australia  
Corsica  
Silver Plus  
Jamaica  
Jamaica  
Volant  
Palladio

# AWNING JAMAICA

## AWNING JAMAICA

Jamaica combines elegance with durability. Its construction ensures a long service life under conditions of intensive use, making it the ideal choice for large terraces and commercial spaces. The awning's folding arms are mounted on specially designed aluminium brackets, manufactured using CNC machining. The use of the Flyer chain in the arm construction, combined with the precision of the joints, ensures the awning's reliable, long-lasting operation. Thanks to the central support of the roller tube in large awnings, the fabric is always evenly tensioned. The structure is based on a square steel beam, which allows for some flexibility in choosing where to mount the brackets and makes the awning very easy to install. An optional aluminium canopy provides protection for the rolled-up fabric. The awning structure is powder-coated in white, beige, brown, graphite or silver with a graphite finish. A kit for cross-arms is available.

### APPLICATION:

Sun protection and shading.

### PRODUCT CHARACTERISTICS:

- Extruded aluminium structure
- Flyer chains in the arms
- Square support beam
- Winding tube support for large widths
- The option to fit a canopy allows the rolled-up fabric to be protected from the elements
- The load-bearing beam facilitates system installation
- Simple operation using fully automated controls
- Telescopic supports available
- Set of cross arms with a maximum reach of 3100 mm

### TECHNICAL PARAMETERS

- Colour scheme RAL
- Electric drive YES
- Manual drive YES
- Maximum width 7000 mm
- Maximum projection 3000 mm
- Cassette NO
- Canopy option YES
- Tilt angle 5°-40°
- Steel reel Ø70 this 4100 mm, Ø78 from 4101 mm
- Sheathing 150 patterns
- Valance YES (Standard 210 mm)
- Telescopic support Standard YES
- Telescopic support Plus YES

NUMBER OF WALL BRACKETS				
JAMAICA	Awning width (mm)			
	0-3500	3500-4700	4700-5900	5900-7000
Number of brackets	2	3	4	5

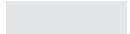
### Note!

It is recommended to install the end wall brackets at a distance of 200 to 450 mm from the ends of the awning, and to space the remaining brackets at equal intervals.

WEIGHT OF THE JAMAICA AWNING (kg)								
Projection (mm)	Width (mm)							
	2 pcs. brackets		3 pcs. brackets		4 pcs. brackets		5 pcs. brackets	
	2100-2900	2901-3500	3501-4100	4101-4700	4701-5300	5301-5900	5901-6500	6501-7000
1600	47	47	50,5	57,5	69	72,5	73,5	83
2100	from 2600 → 47,5	49	52	58	64,5	74,5	83	87
2600		from 3100 → 51,5	56,5	61	72	75,5	79,5	91,5
3100			from 3600 → 60	70	75	81,5	86,5	97
3600				80,5	77	88	88,5	100,5

Ceiling mount = 0.6 kg, rafter mount = 2.5 kg, cross arm = 2.0 kg

POSITIONING OF ARM BRACKETS										
JAMAICA		Total awning width (including end caps, covers, etc.) (mm)								
		0-2300	2301-2900	2901-3500	3501-4100	4101-4700	4701-5300	5301-5900	5901-6500	6501-7000
Projection (mm)	1600	from 2100→ 70	100	400	700	700	700	700	700	700
								2570	2570	2570
	2100		from 2600→ 100	100	400	500	600	400	500	600
								2770	2870	2970
	2600			from 310→ 100	300	400	600	400	500	600
							3270	3370	3470	
	3100				from 360→ 100	300	600	700	300	500
								3670	3870	
	3600				from 410→ 100	100	400	700	700	300
										4170

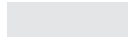
 A third arm is added

The third arm is positioned in accordance with the lower dimension of the green area.  
For the right-hand third arm, the measurement is taken from the left-hand side, and for the left-hand third arm, from the right-hand side

**Note!**

Due to the need for adjustment, a tolerance of up to 20 mm is permitted for the positioning of components.  
Position of the 3rd arm bracket in the awning = distance of 1 bracket in the awning from the edge of the awning + arm projection + 270 mm measured from the right-hand side for the left arm or from the left-hand side for the right arm.

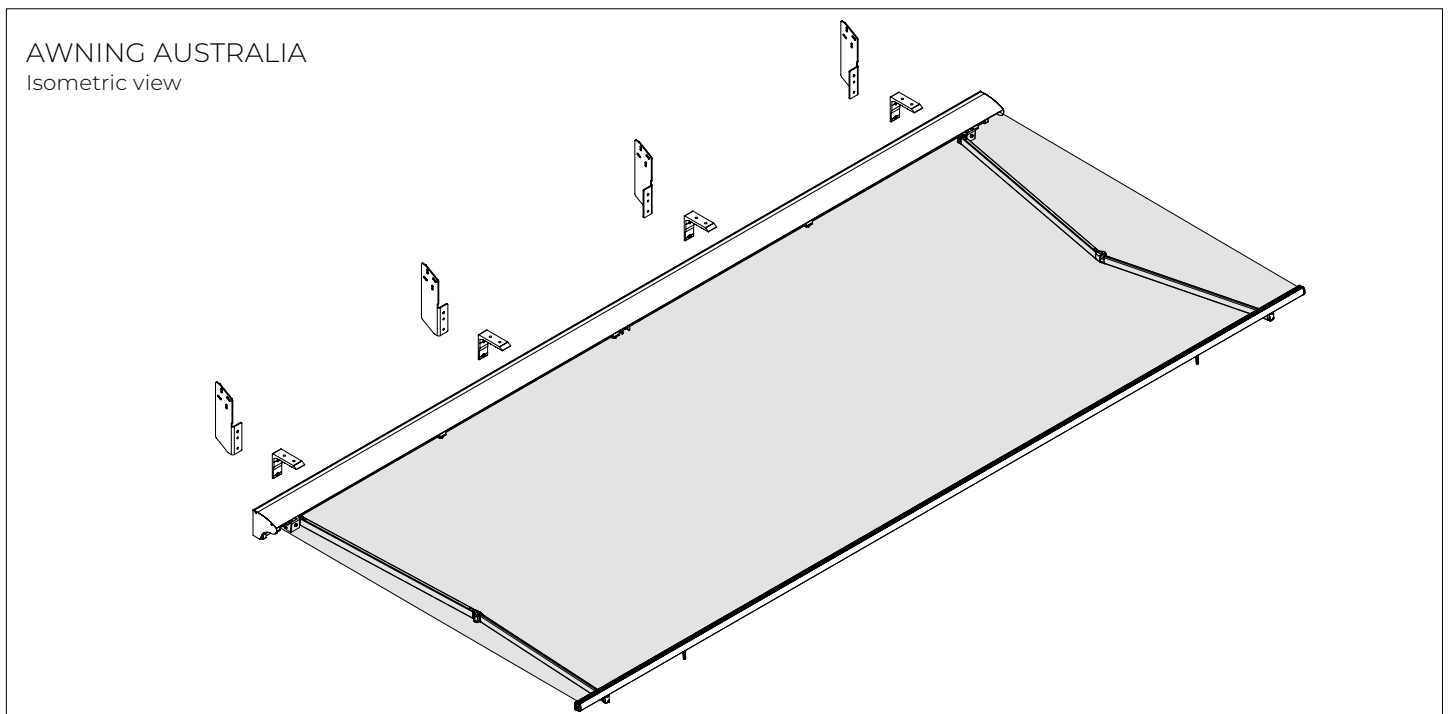
POSITIONING OF THE ROLLER TUBE BRACKETS						
JAMAICA		Width (mm)				
		0-4100	4101-4700	4701-5300	5301-5900	5901-6500
Projection (mm)	210	from 245→	centre or centre ±590	centre ±590 or centre ±1180		
	260	from 3100→				
	310	from 3600→				
	360	from 4100→				

 Only one roller tube support

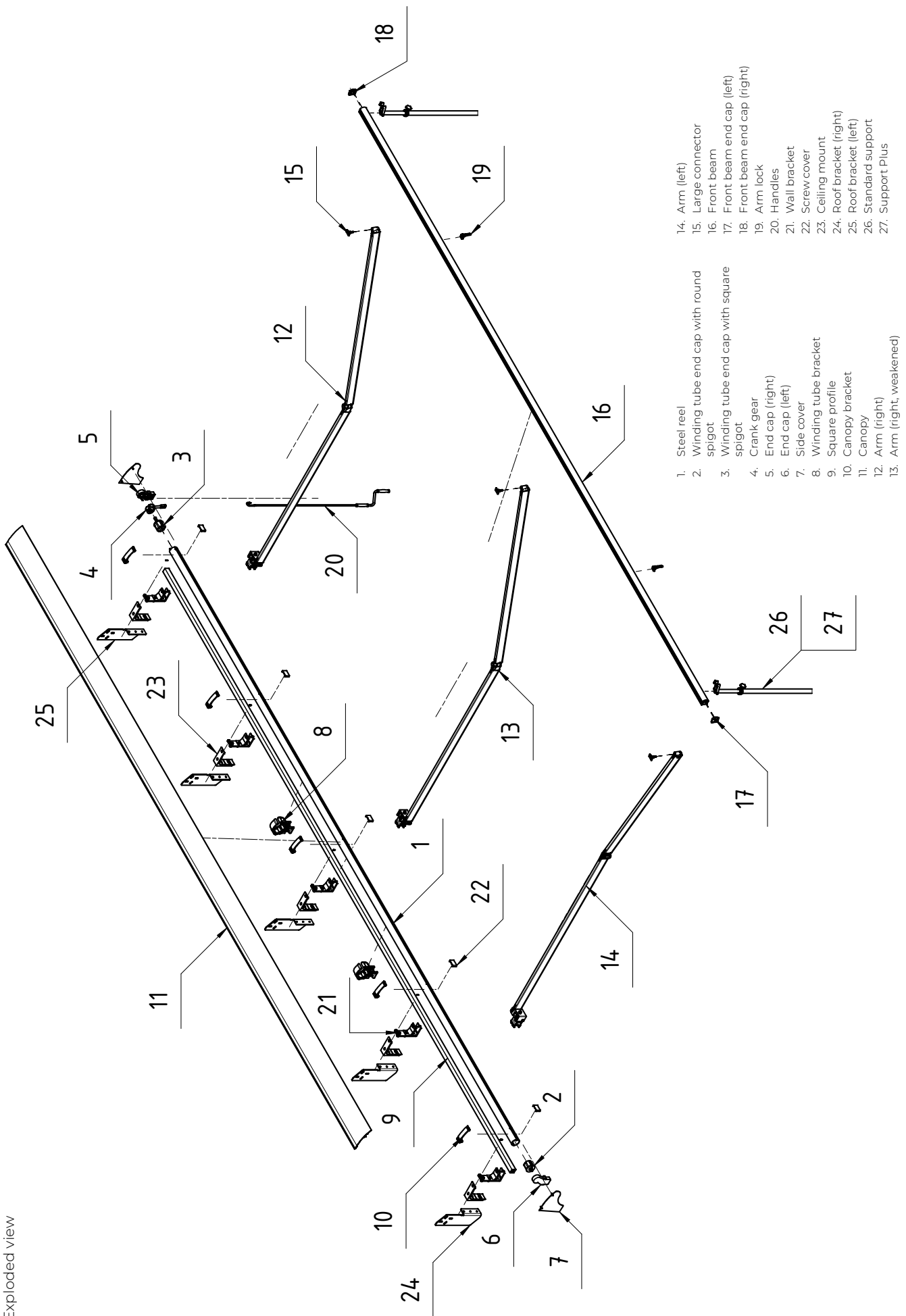
 Two support brackets for the reel

**Note!**

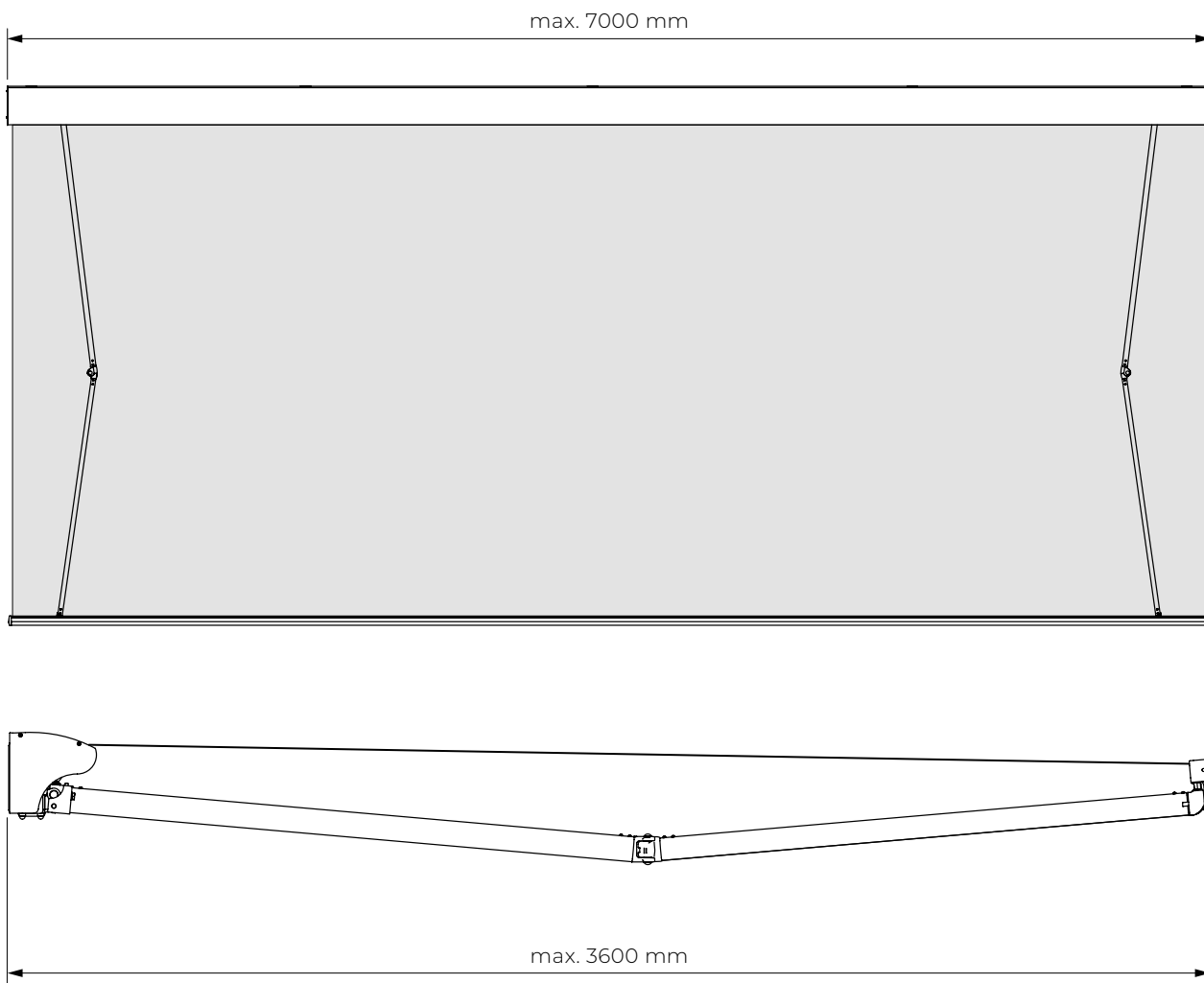
Number of winding tube supports:  
Width (mm) 0–4100 = 0 supports, width (mm) 4101–4700 = 1 support, width (mm) 4701–7000 = 2 supports.  
Due to the need for adjustment, a tolerance of up to 100 mm is permitted for the positioning of components.



AWNING JAMAICA  
Exploded view



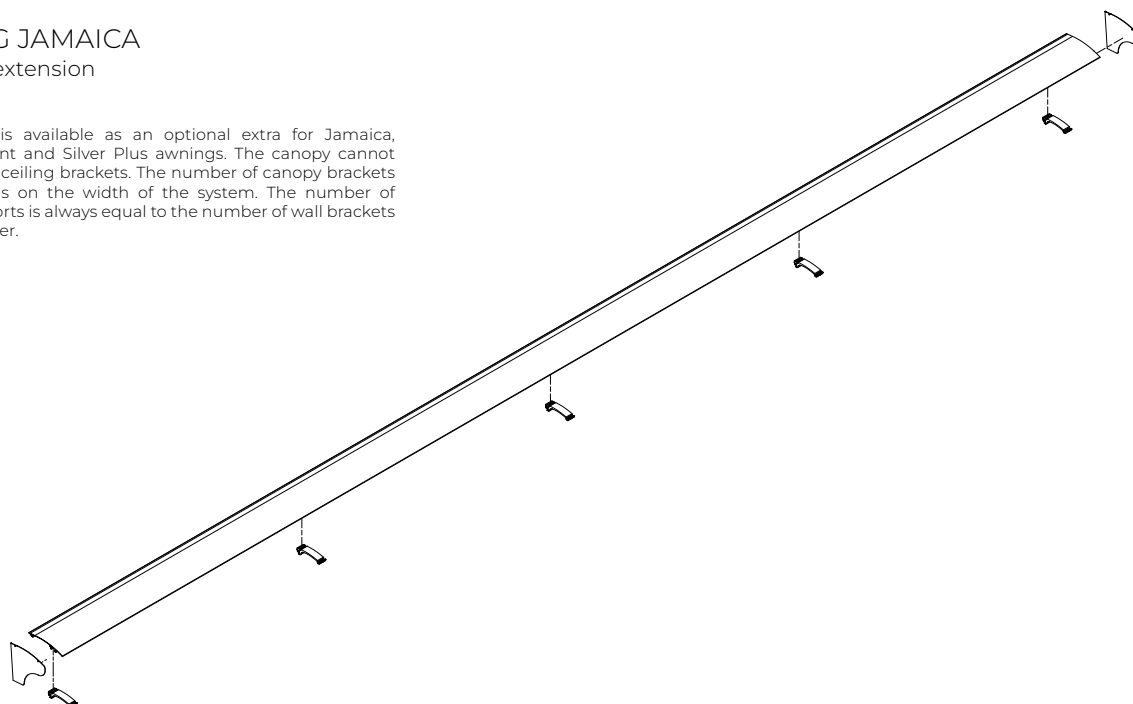
AWNING JAMAICA  
Maximum projection



AWNING JAMAICA  
Canopy - extension

**Note**

The canopy is available as an optional extra for Jamaica, Jamaica Volant and Silver Plus awnings. The canopy cannot be used with ceiling brackets. The number of canopy brackets used depends on the width of the system. The number of canopy supports is always equal to the number of wall brackets in a given order.

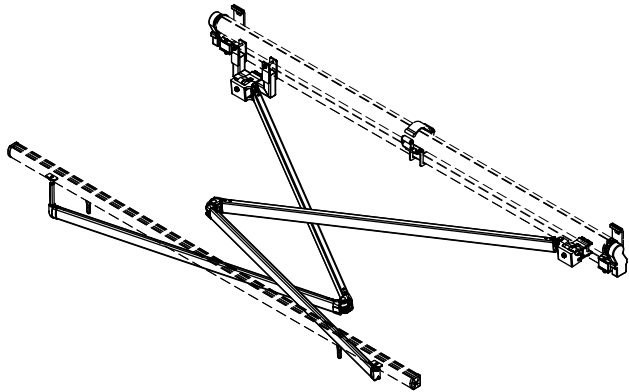


AWNING JAMAICA

Cross arms (optional)

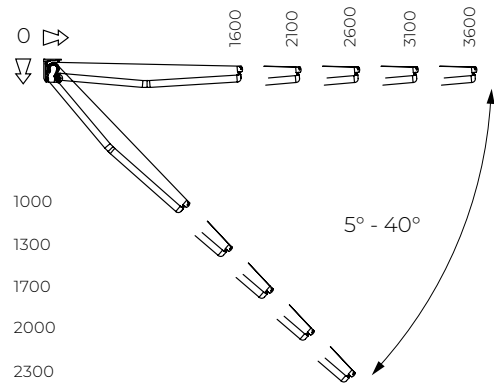
Note

The number of canopy supports is always equal to the number of wall brackets in a given order.



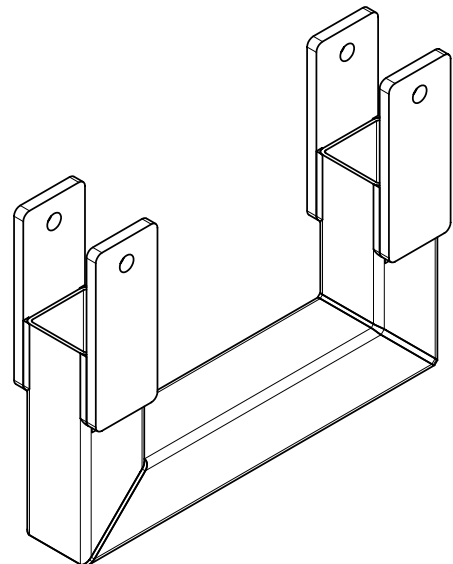
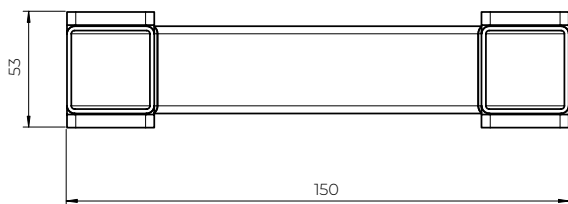
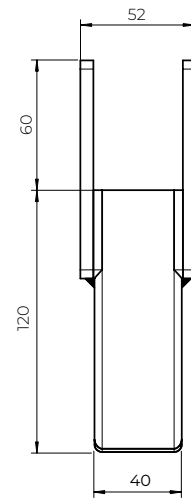
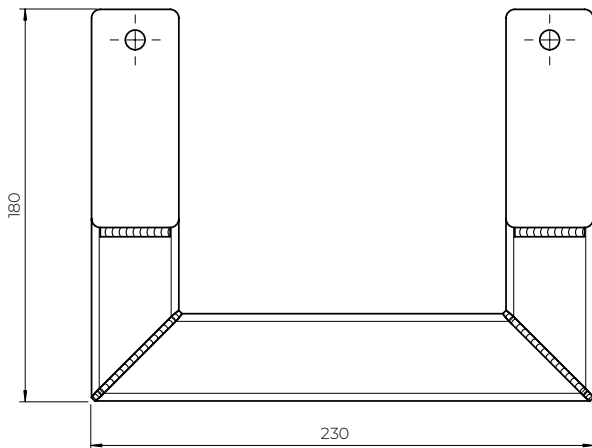
AWNING JAMAICA

Tilt angle

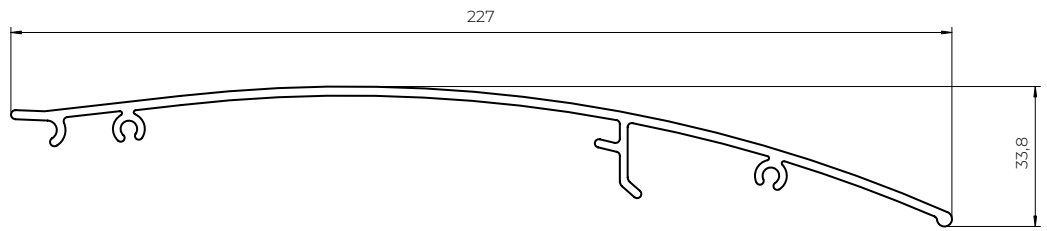


AWNING JAMAICA

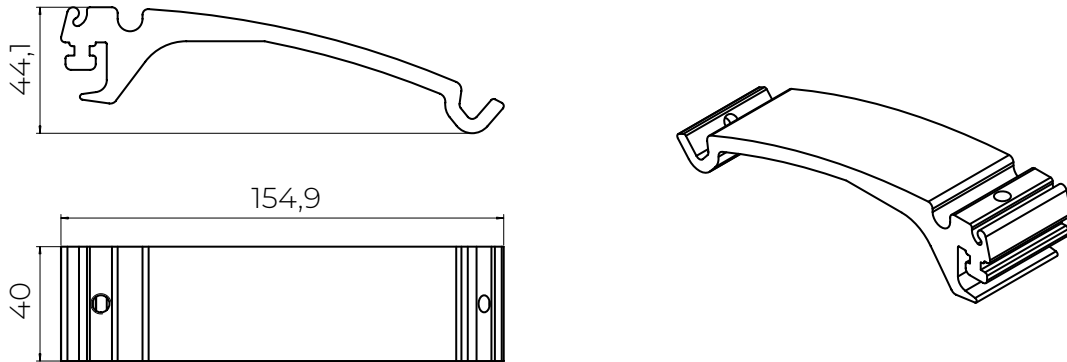
Cross-arm bracket



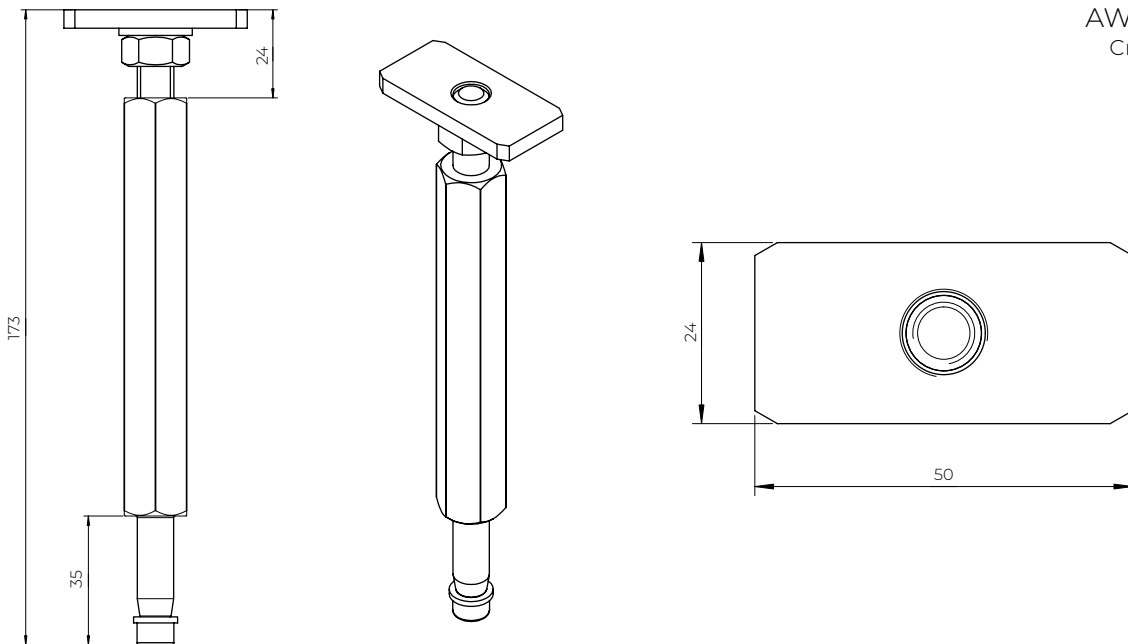
Canopy  
Jamaica  
Silver Plus



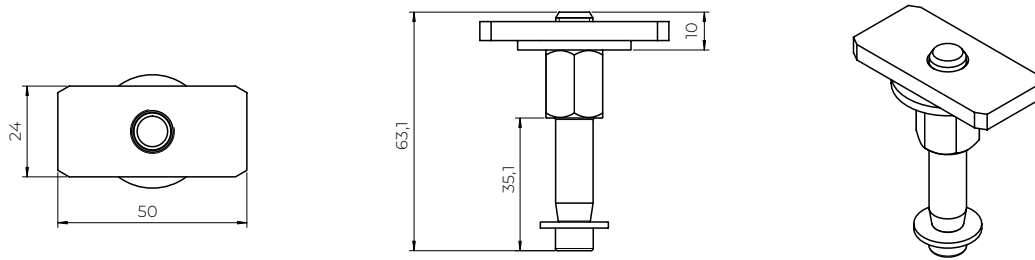
Canopy bracket  
Jamaica  
Silver Plus



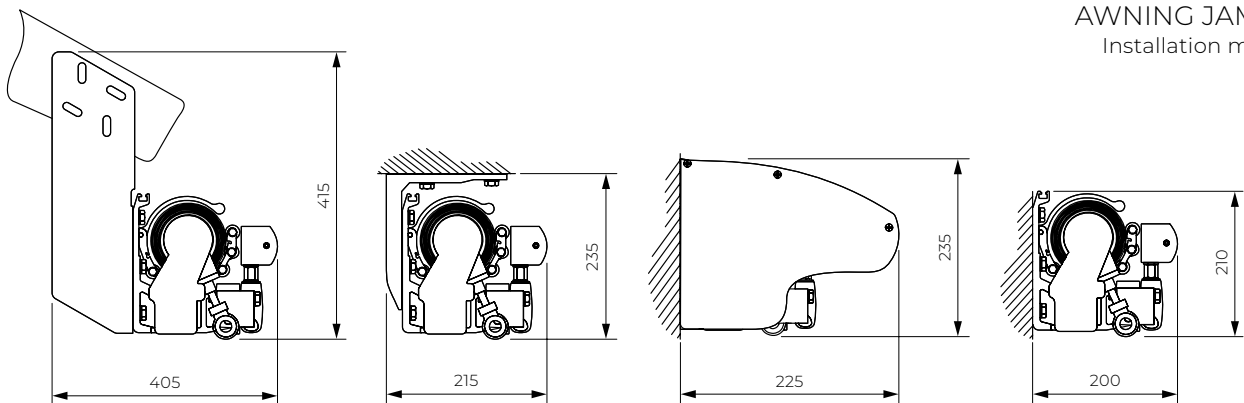
AWNING JAMAICA  
Cross-arm connector



AWNING JAMAICA  
Large arm connector



AWNING JAMAICA  
Installation methods



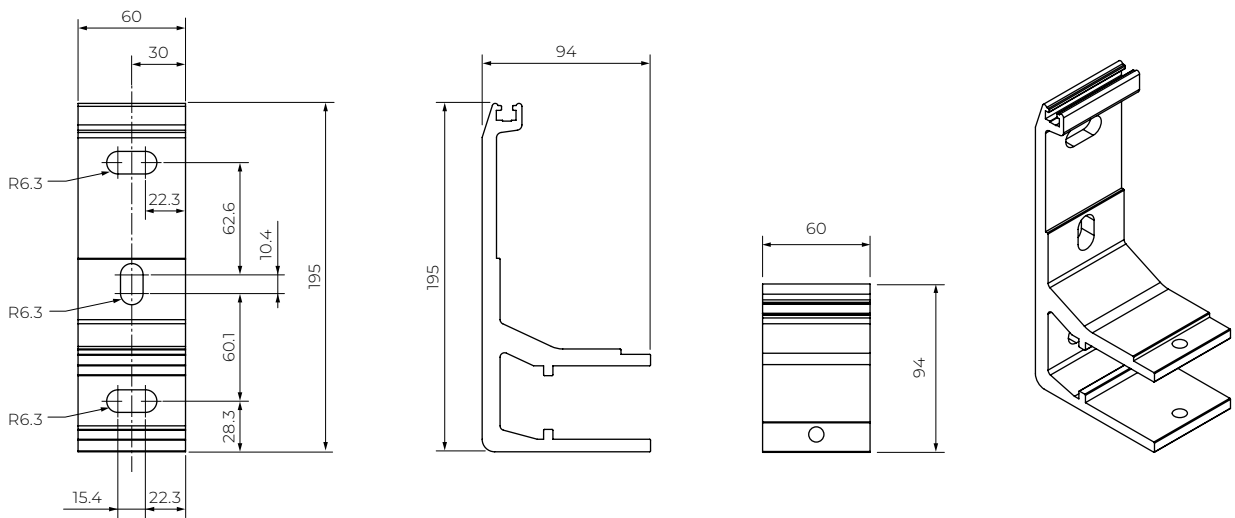
Mounting to roof rafters

Ceiling installation

WALL Mounting  
with visor

Wall mounting

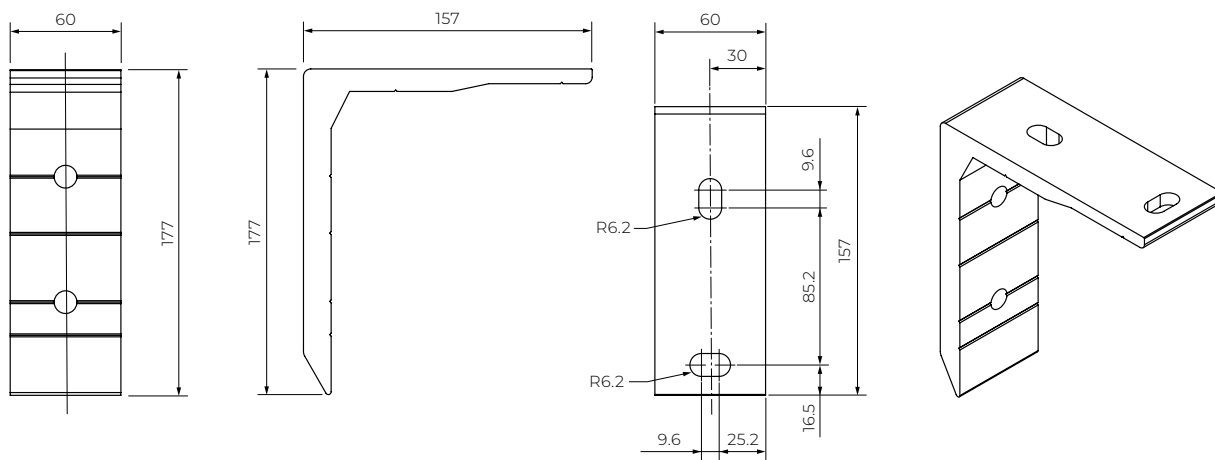
AWNING JAMAICA  
Wall bracket



Jamaica  
Corsica  
Silver Plus  
Australia  
Jamaica Volant  
Palladio

AWNING JAMAICA

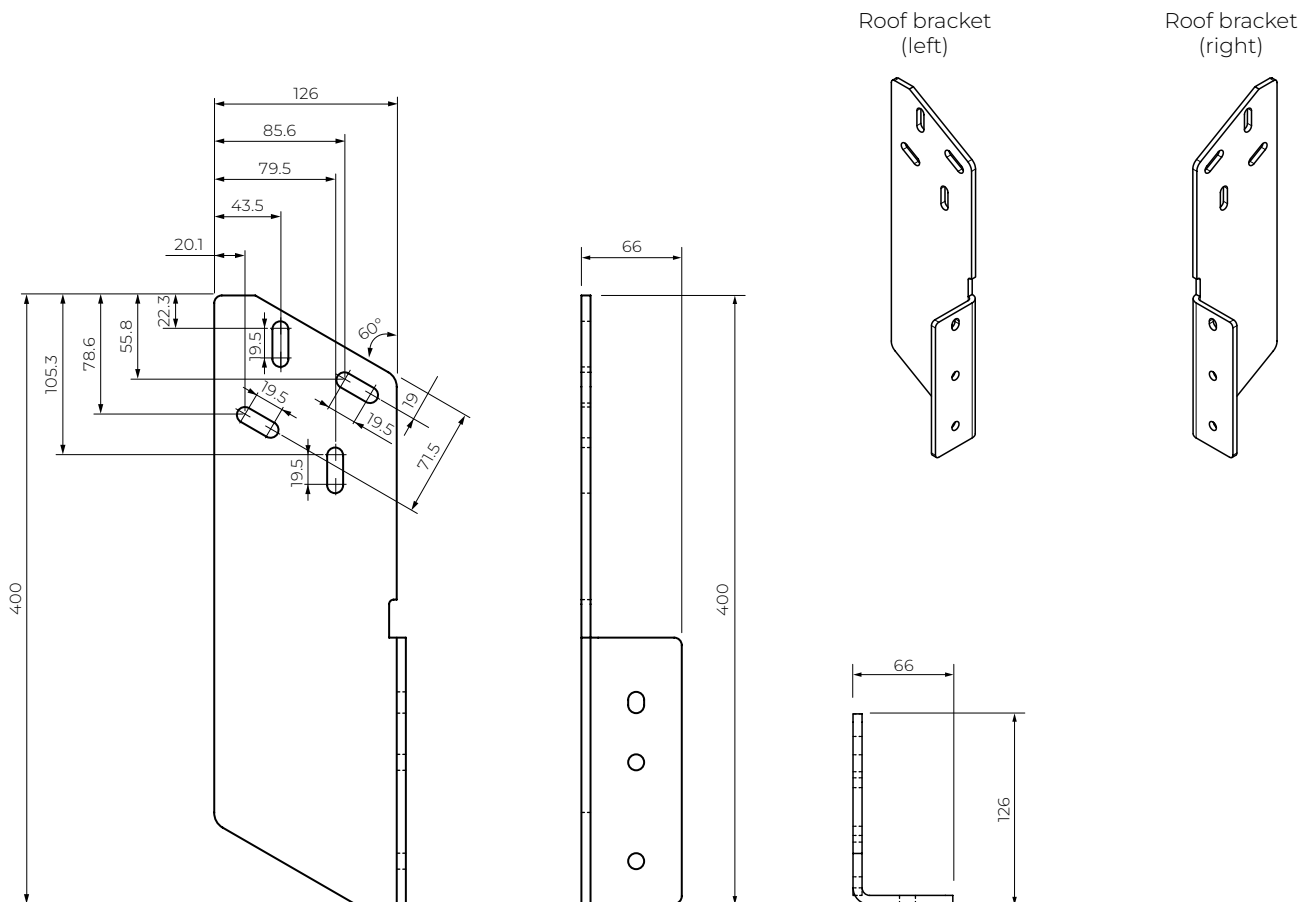
Ceiling mount



Jamaica  
 Corsica  
 Silver Plus  
 Australia  
 Jamaica Volant  
 Palladio

AWNING JAMAICA

Roof bracket



Jamaica  
 Corsica  
 Silver Plus  
 Australia  
 Jamaica Volant  
 Palladio

# AWNING JAMAICA VOLANT

## AWNING JAMAICA VOLANT

Jamaica Volant combines elegance with durability. Its construction ensures a long service life under conditions of intensive use, making it the ideal choice for large terraces and commercial spaces. The awning's folding arms are mounted on specially designed aluminium brackets, manufactured using CNC machining. The use of Flyer chain arms in the construction, combined with the precision of the joints, ensures the awning's reliable, long-lasting operation. Thanks to the central support of the roller tube in large awnings, the fabric is always evenly tensioned. The structure is based on a square steel beam, which allows for some flexibility in choosing where to mount the brackets and makes the awning very easy to install. An optional aluminium canopy provides protection for the rolled-up fabric. The awning structure is powder-coated in white, beige, brown, graphite or silver with a graphite finish. A kit for cross arms is available.

### APPLICATION:

Sun protection and shading.

### PRODUCT CHARACTERISTICS:

- Extruded aluminium structure
- Flyer chains in the arms
- Square support beam
- Winding tube support for large widths
- The option to fit a canopy allows the rolled-up fabric to be protected from the elements
- The load-bearing beam facilitates system installation
- Use of a Volant valance, which not only provides additional protection from the sun but also enhances privacy
- Simple operation using fully automated controls
- Telescopic supports available
- Set of cross arms with a maximum reach of 3100 mm

### TECHNICAL PARAMETERS

- Colour scheme RAL
- Electric drive YES
- Manual drive YES
- Maximum width 5900 mm
- Maximum projection 3100 mm
- Cassette NO
- Canopy option YES
- Tilt angle 5°-40°
- Steel reel Ø70 this 4100 mm, Ø78 from 4101 mm
- Sheathing 150 patterns
- Valance Volant YES
- Telescopic support Standard YES
- Telescopic support Plus YES

### PARAMETRY TECHNICZNE FALBANY ROZWIJANEJ:

- Maximum width 5900 mm
- Maximum projection of the Jamaica awning with roll-out valance: 3100 mm
- Maximum height 1500 mm, when using SOLTIS materials
- Maximum height 1200 mm, when using acrylic materials
- Only shape E occurs
- Manual drive
- We recommend using plain fabrics. If patterned fabrics are used, the pattern on the valance runs horizontally.

WEIGHT OF THE JAMAICA VOLANT awning (kg)						
Projection (mm)	Width (mm)					
	2 pcs. brackets		3 pcs. brackets		4 pcs. brackets	
	2100-2900	2901-3500	3501-4100	4101-4700	4701-5300	5301-5900
1600	53	54	58,5	66,5	79	84,5
2100	from 2600 → 53,5	56	60	67	74,5	86,5
2600		from 3100 → 57,5	64,5	90	82	87,5
3100			from 3600 → 68	79	85	93,5
3600				89,5	87	100

Ceiling mount = 0.6 kg, rafter mount = 2.5 kg, cross arm = 2.0 kg

## TECHNICAL SUPPLEMENT – AWNINGS

NUMBER OF WALL BRACKETS			
JAMAICA VOLANT	Awning width (mm)		
	0-3500	3501-4700	4701-5900
<b>Number of brackets</b>	2	3	4

**Note!**

It is recommended to install the end wall brackets at a distance of 200 to 450 mm from the ends of the awning, and to space the remaining brackets at equal intervals.

POSITIONING OF ARM BRACKETS										
JAMAICA VOLANT		Total awning width (including end caps, covers, etc.) (mm)								
		0-2300	2301-2900	2901-3500	3501-4100	4101-4700	4701-5300	5301-5900	5901-6500	6501-7000
<b>Projection (mm)</b>	1600	from 2100→ 70	100	400	700	700	700	700	700	700
								2570	2570	2570
	2100		from 2600→ 100	100	400	500	600	400	500	600
								2770	2870	2970
	2600			from 3100→ 100	300	400	600	400	500	600
								3270	3370	3470
	3100				from 3600→ 100	300	600	700	300	500
									3670	387

 A third arm is added

The third arm is positioned in accordance with the lower dimension of the green area.

For the right-hand third arm, the measurement is taken from the left-hand side, and for the left-hand third arm, from the right-hand side


**Note!**

Due to the need for adjustment, a tolerance of up to 20 mm is permitted for the positioning of components.

Position of the 3rd arm bracket in the awning = distance of 1 bracket in the awning from the edge of the awning + arm projection + 270 mm measured from the right-hand side for the left arm or from the left-hand side for the right arm.

POSITIONING OF THE ROLLER TUBE BRACKETS				
JAMAICA VOLANT		Width (mm)		
		0-4100	4101-4700	4701-7000
<b>Projection (mm)</b>	2100	from 2450→	centre or centre ±590	centre ±590 or centre ±1180
	2600	from 2950→		
	3100	from 3450→		
	3600	from 3950→		

 Only one roller tube support

 Two support brackets for the reel

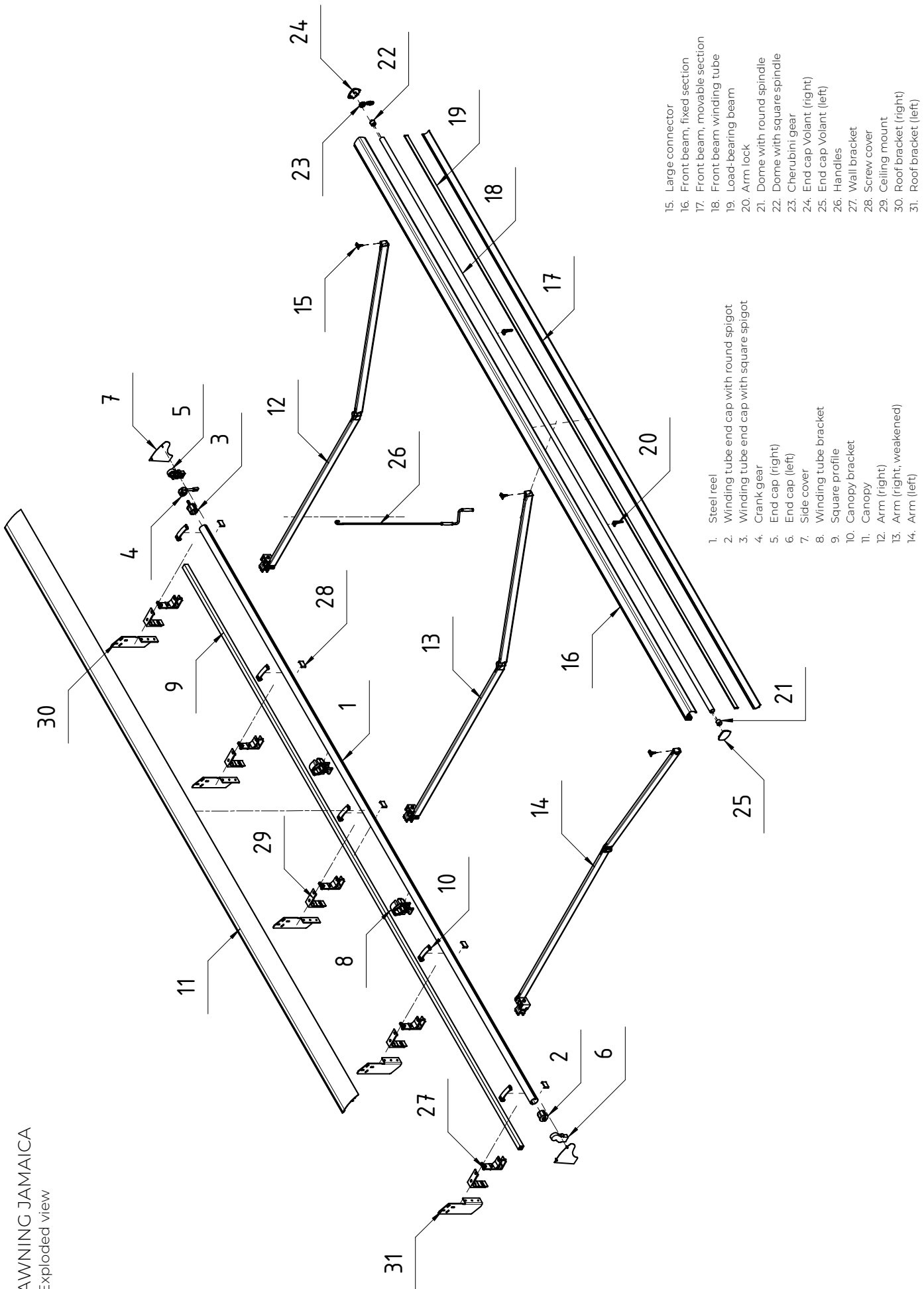
**Note!**

Number of winding tube supports:

Width (mm) 0-4100 = 0 supports, width (mm) 4101-4700 = 1 support, width (mm) 4701-7000 = 2 supports.

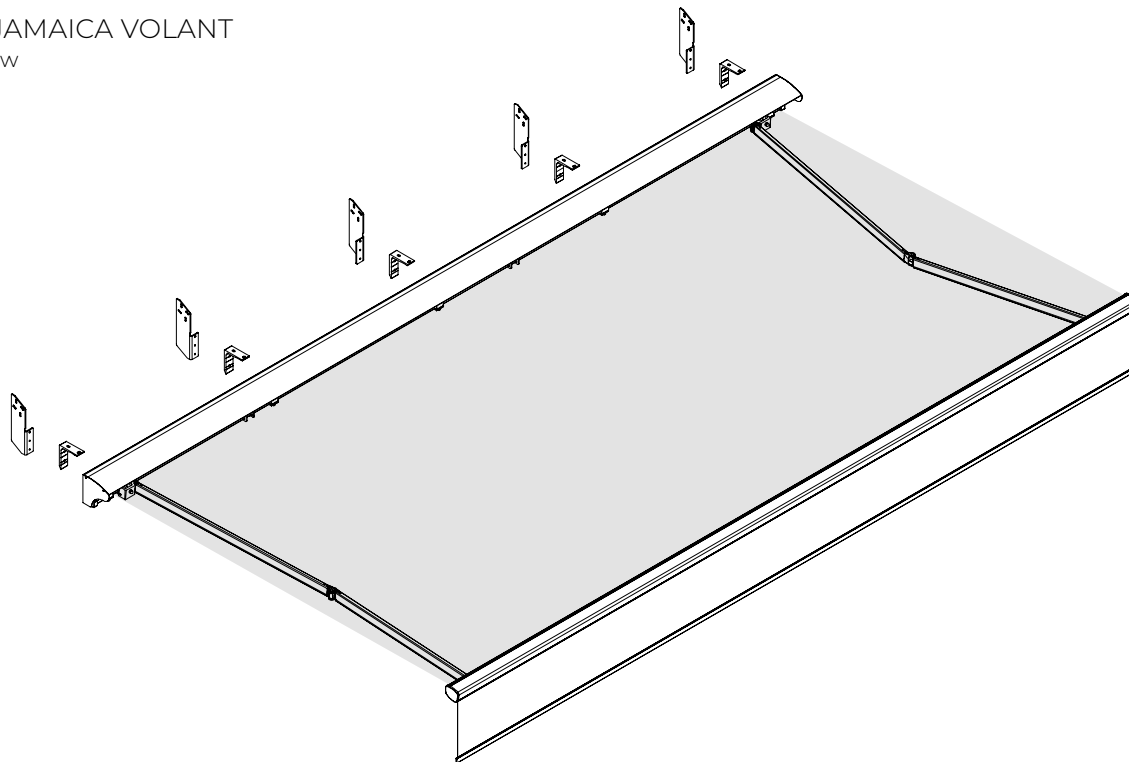
Due to the need for adjustment, a tolerance of up to 100 mm is permitted for the positioning of components.

AWNING JAMAICA  
Exploded view



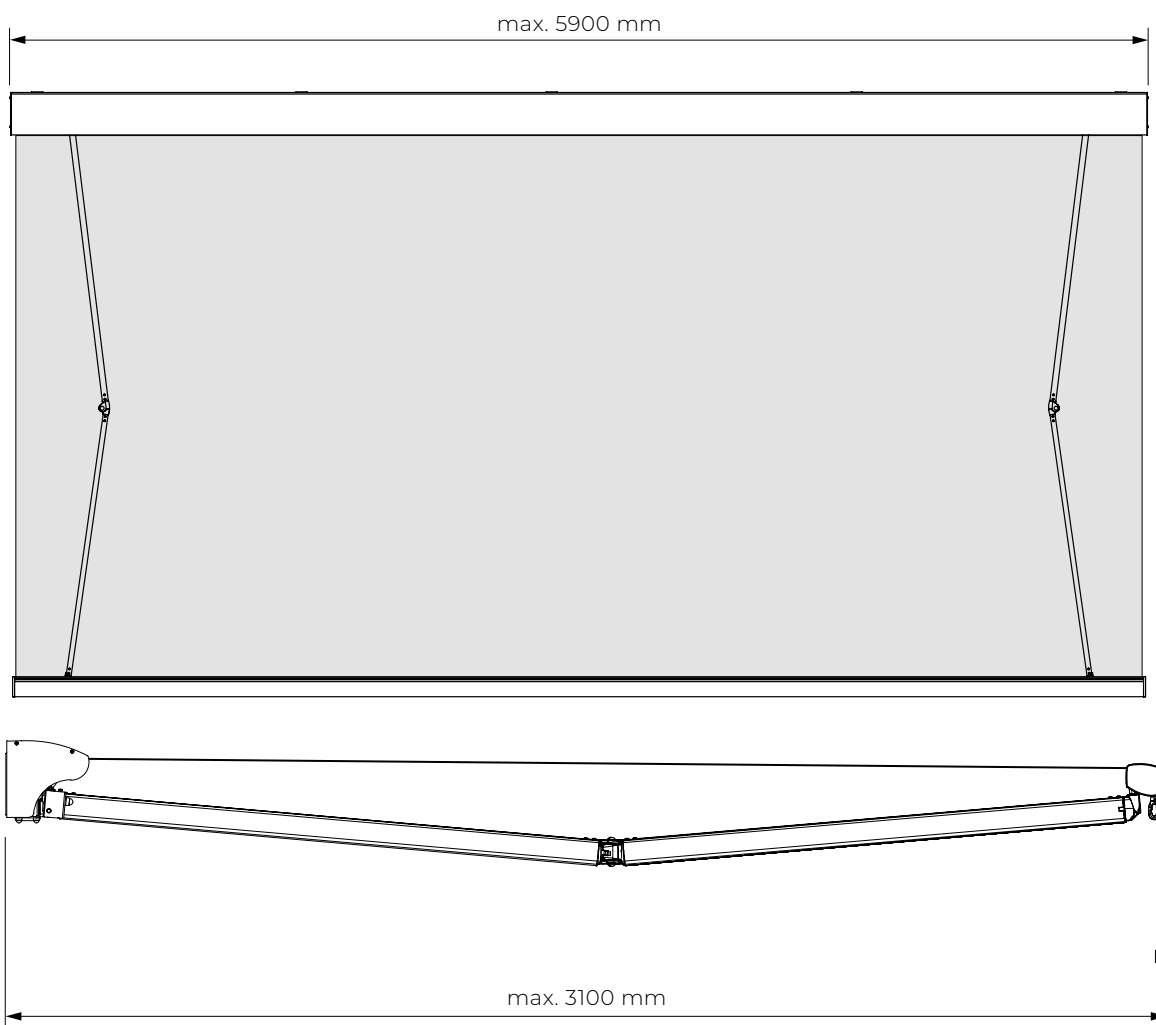
- 1. Steel reel
- 2. Winding tube end cap with round spigot
- 3. Winding tube end cap with square spigot
- 4. Crank gear
- 5. End cap (right)
- 6. End cap (left)
- 7. Side cover
- 8. Winding tube bracket
- 9. Square profile
- 10. Canopy bracket
- 11. Canopy
- 12. Arm (right)
- 13. Arm (right, weakened)
- 14. Arm (left)
- 15. Large connector
- 16. Front beam, fixed section
- 17. Front beam, movable section
- 18. Front beam winding tube
- 19. Load-bearing beam
- 20. Arm lock
- 21. Dome with round spindle
- 22. Dome with square spindle
- 23. Cherubini gear
- 24. End cap Volant (right)
- 25. End cap Volant (left)
- 26. Handles
- 27. Wall bracket
- 28. Screw cover
- 29. Ceiling mount
- 30. Roof bracket (right)
- 31. Roof bracket (left)

AWNING JAMAICA VOLANT  
Isometric view

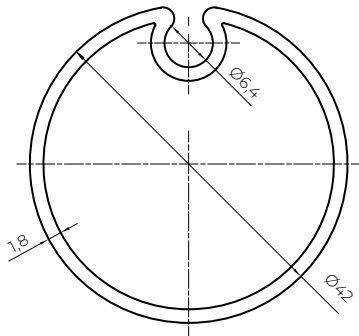


AWNING JAMAICA VOLANT  
Maximum projection

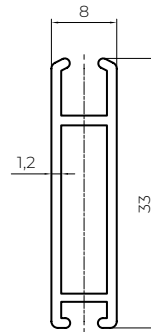
**Note**  
Maximum awning extension up to 1200 mm



AWNING JAMAICA VOLANT  
Steel reel Volant Ø42



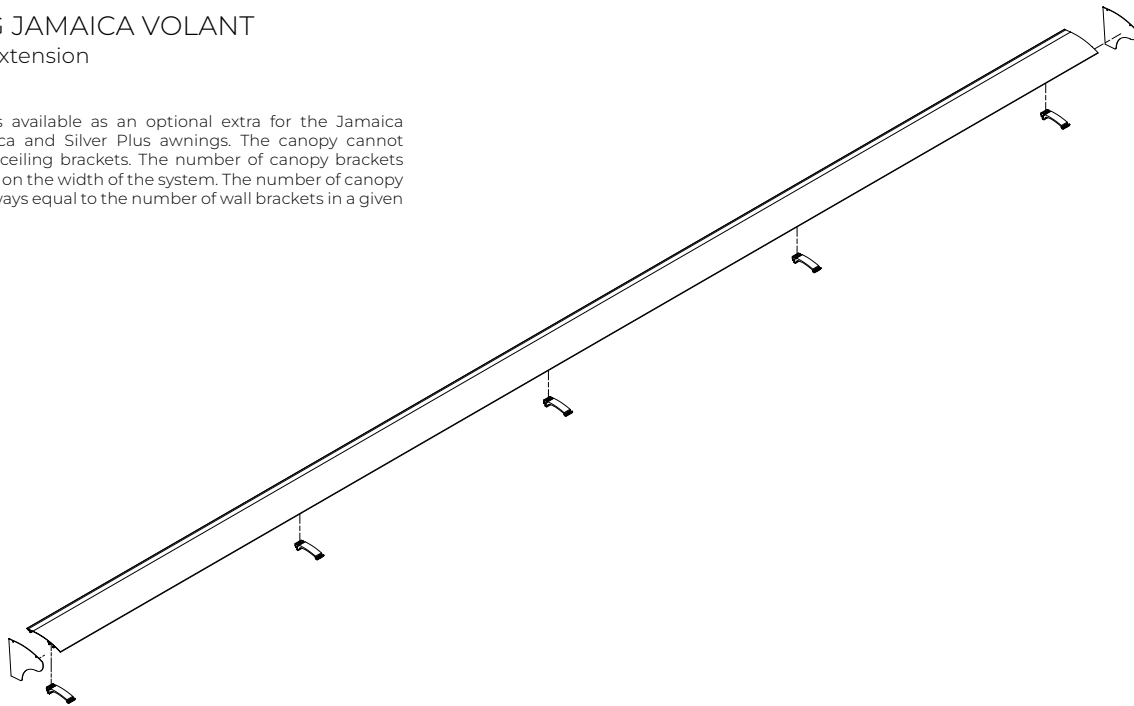
AWNING JAMAICA VOLANT  
Bottom rail FB33



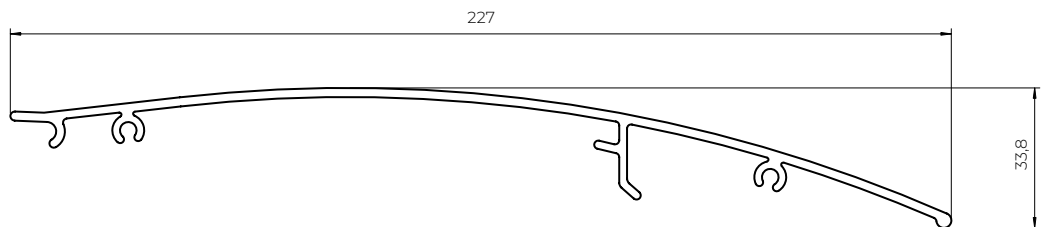
AWNING JAMAICA VOLANT  
Canopy - extension

**Note**

The canopy is available as an optional extra for the Jamaica Volant, Jamaica and Silver Plus awnings. The canopy cannot be used with ceiling brackets. The number of canopy brackets used depends on the width of the system. The number of canopy supports is always equal to the number of wall brackets in a given order.

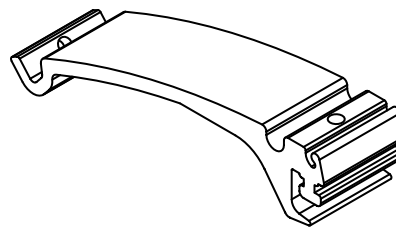
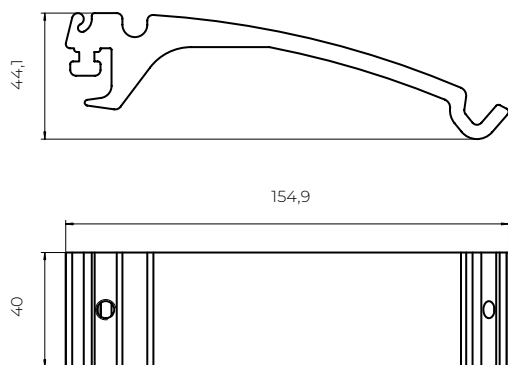


Canopy  
Jamaica  
Silver Plus



Canopy bracket

Jamaica  
Silver Plus

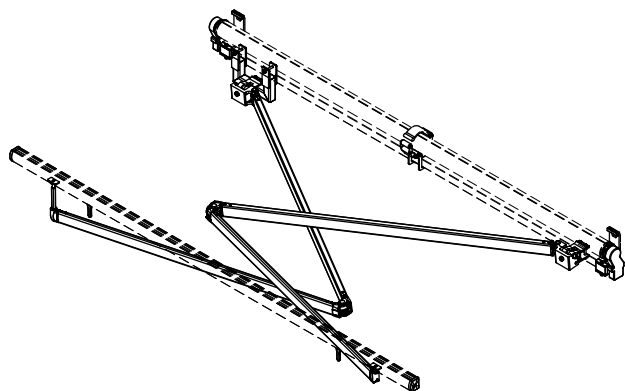


AWNING JAMAICA VOLANT

Cross arms (optional)

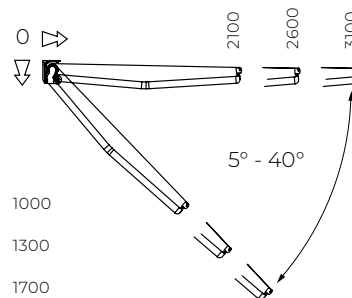
Note

The minimum width of the awning with a set of cross arms is the arm projection minus 400 mm. They cannot be used with a projection of 3600.

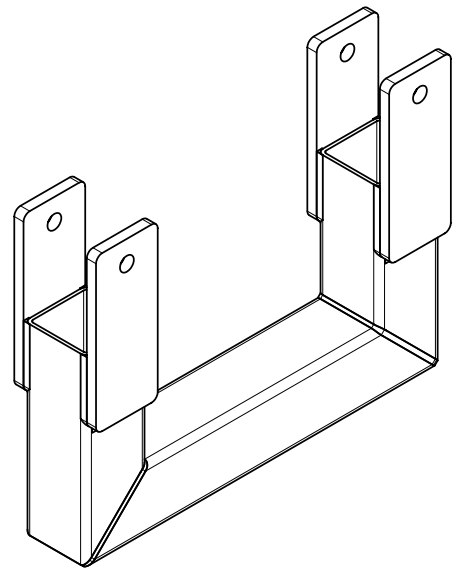
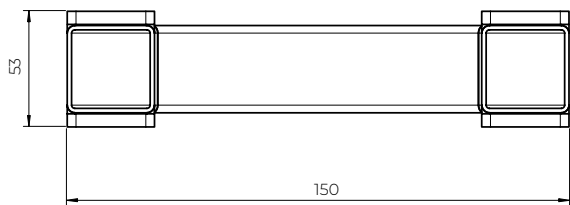
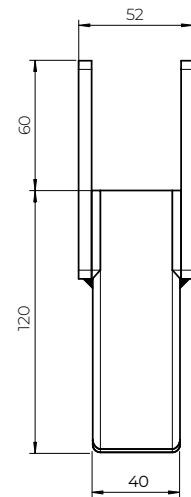
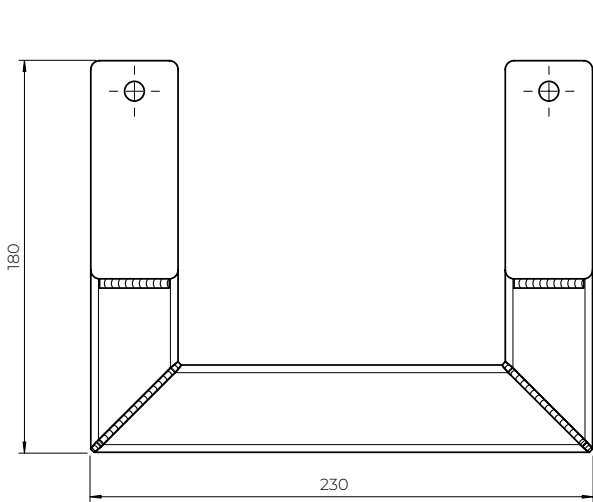


AWNING JAMAICA VOLANT

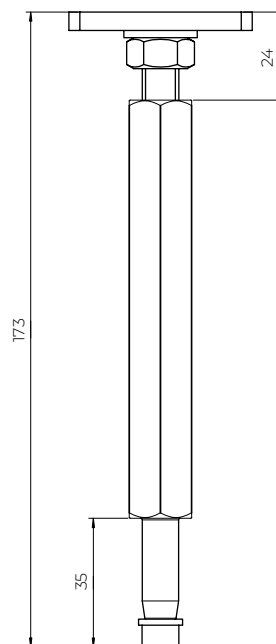
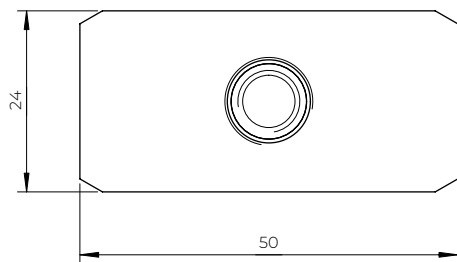
Tilt angle



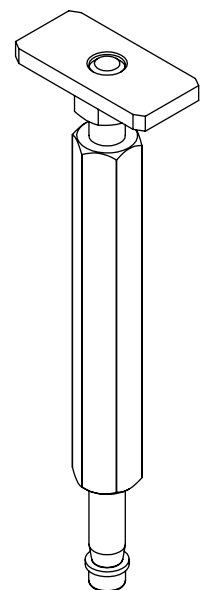
AWNING JAMAICA VOLANT  
Cross-arm bracket



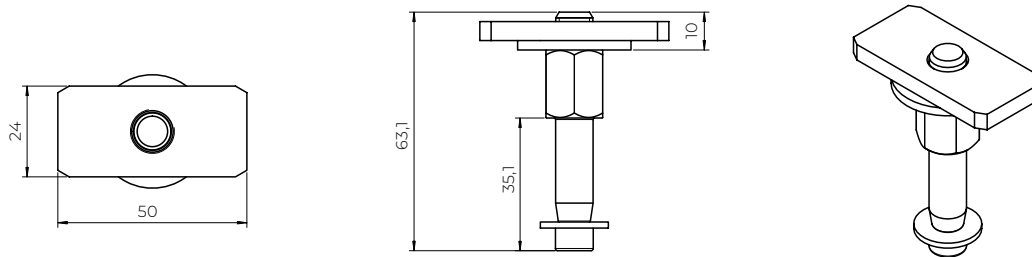
AWNING JAMAICA VOLANT  
Cross-arm connector



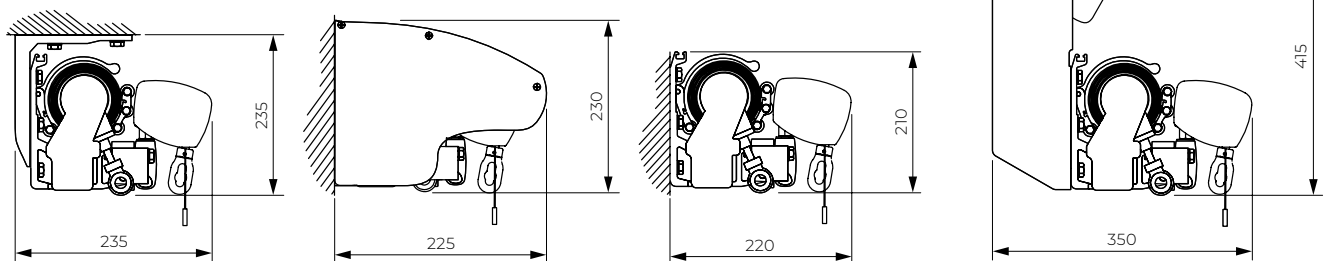
35



AWNING JAMAICA VOLANT  
Large arm connector



AWNING JAMAICA VOLANT  
Installation methods



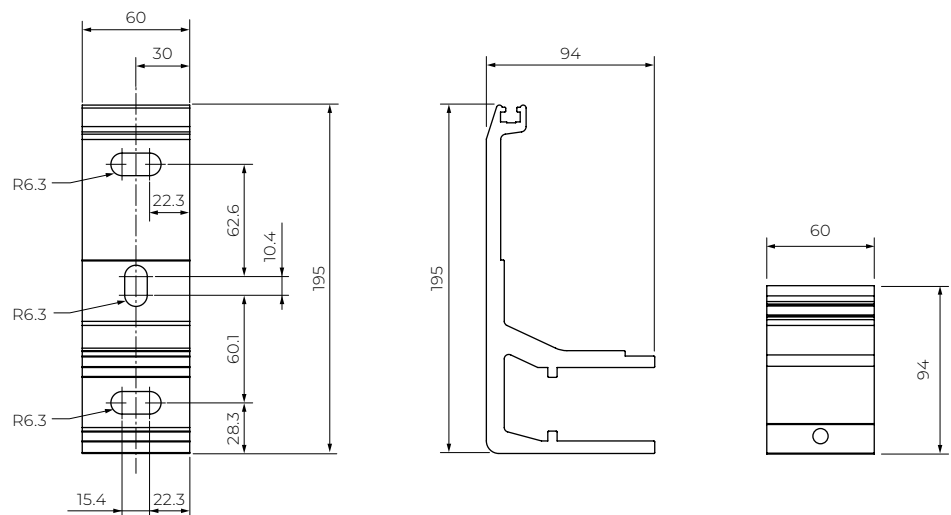
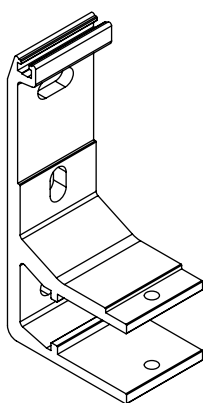
Ceiling installation

Wall mounting  
with visor

Wall mounting

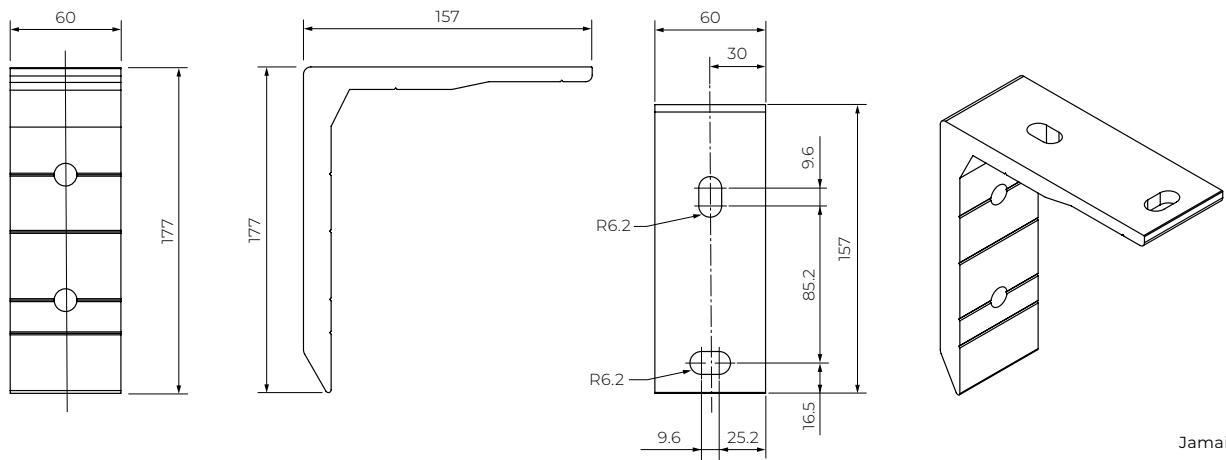
Mounting to roof rafters

AWNING JAMAICA VOLANT  
Wall bracket



Jamaica Volant  
Corsica  
Silver Plus  
Australia  
Jamaica  
Palladio

AWNING JAMAICA VOLANT  
Ceiling mount

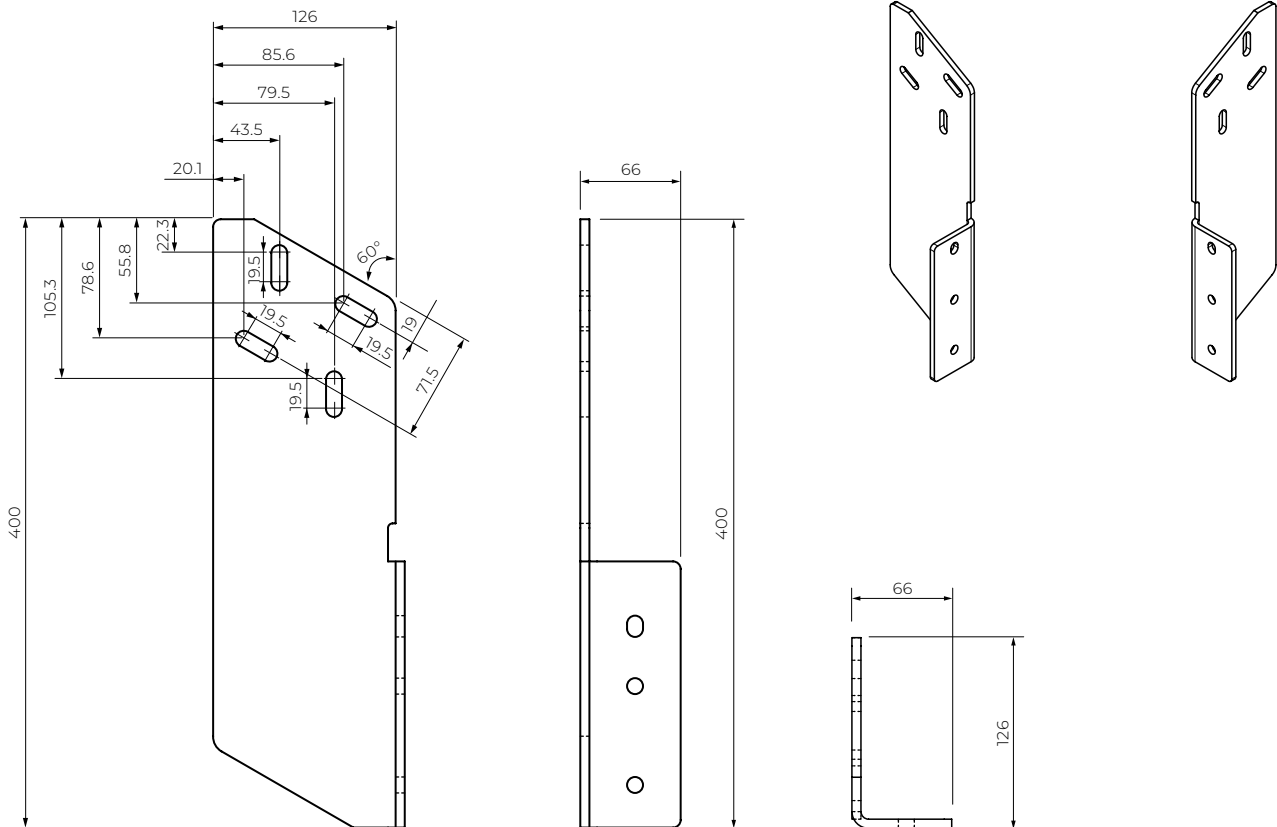


Jamaica Volant  
Corsica  
Silver Plus  
Australia  
Jamaica  
Palladio

AWNING JAMAICA VOLANT  
Roof bracket

Roof bracket (left)

Roof bracket (right)



Jamaica Volant  
Corsica  
Silver Plus  
Australia  
Jamaica  
Palladio

# AWNING PALLADIO

## AWNING PALLADIO

Palladio is an elegant cassette awning that looks superb on terraces. The special design of the arm brackets ensures that the arms are raised upwards, whilst the front bar closes tightly against the cassette, covering the rolled-up fabric. The use of Flyer chain arms in the construction, combined with the precision of the joints, ensures the awning's reliable, long-lasting operation. Thanks to the use of spring-loaded supports on the roller tube, the fabric is evenly tensioned. Palladio combines the features of a cassette awning with a design based on a square support beam. This allows you to take full advantage of the functionality of a cassette awning, whilst making it easy to install. Compatible with a cross-arm kit.

### APPLICATION:

Sun protection and shading.

### PRODUCT CHARACTERISTICS:

- Extruded aluminium structure
- Flyer chains in the arms
- The load-bearing beam consists of a closed profile with a square cross-section
- Extra-reinforced cassette
- The cassette protects the fabric from the elements
- The load-bearing beam facilitates system installation
- Simple operation using fully automated controls
- Telescopic supports available
- Set of cross arms with a maximum reach of 3100 mm

### TECHNICAL PARAMETERS

- Colour scheme RAL
- Electric drive YES
- Manual drive YES
- Maximum width 7000 mm
- Maximum projection 3600 mm
- Cassette YES
- Tilt angle 5°-50°
- Steel reel Ø70
- Sheathing 150 patterns
- Valance YES (Standard 210 mm)
- Telescopic support Standard YES
- Telescopic support Plus YES

WEIGHT OF THE PALLADIO awning (kg)

Projection (mm)	Width (mm)							
	2 pcs. brackets		3 pcs. brackets		4 pcs. brackets		5 pcs. brackets	
	2100-2900	2901-3500	3501-4100	4101-4700	4701-5300	5301-5900	5901-6500	6501-7000
1600	58	59,5	63	70	77	88	96,5	102
2100	from 2600 → 67,5	61,5	65	72	79,5	91	99	103
2600		from 3100 → 64,5	68	75	82	92,5	104	105
3100			from 3600 → 70,5	78	85	95,5	107	113
3600				82	91	98	106	121,5

Ceiling mount = 0.6 kg, rafter mount = 2.5 kg, cross arm = 2.0 kg

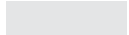
NUMBER OF WALL BRACKETS

PALLADIO	Awning width (mm)			
	0-3500	3501-4700	4701-5900	5901-7000
Number of brackets	2	3	4	5

### Note!

It is recommended to install the end wall brackets at a distance of 20 to 45 cm from the ends of the awning, with the remaining brackets spaced at equal intervals.

PALLADIO		POSITIONING OF ARM BRACKETS								
		Total awning width (including end caps, covers, etc.) (mm)								
Projection (mm)		0-2300	2301-2900	2901-3500	3501-4100	4101-4700	4701-5300	5301-5900	5901-6500	6501-7000
Projection (mm)	1600	from 2100 → 115	145	445	745	745	745	745	745	745
								2615	2615	2615
	2100		from 2600 → 125	125	445	545	645	445	545	645
								2815	2915	3015
	2600			from 3100 → 125	345	445	645	445	545	645
	3315							3415	3515	
3100				from 3600 → 125	345	645	745	345	545	
									3715	3915
3600				from 4100 → 125	145	445	745	745	345	

 A third arm is added

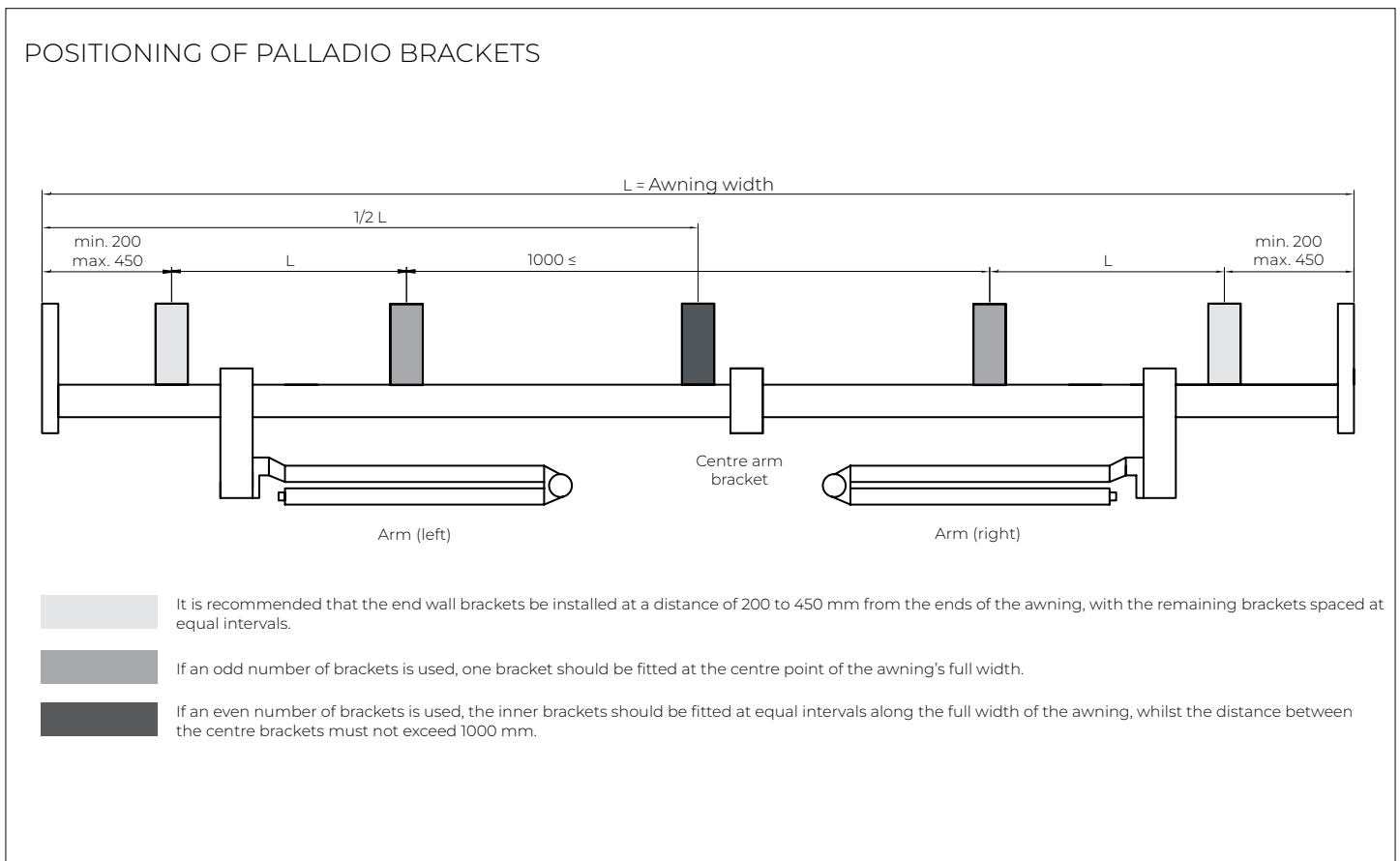
The third arm is positioned in accordance with the lower dimension of the green area.

For the right-hand third arm, the dimension is measured from the left-hand side, and for the left-hand third arm, from the right-hand side.

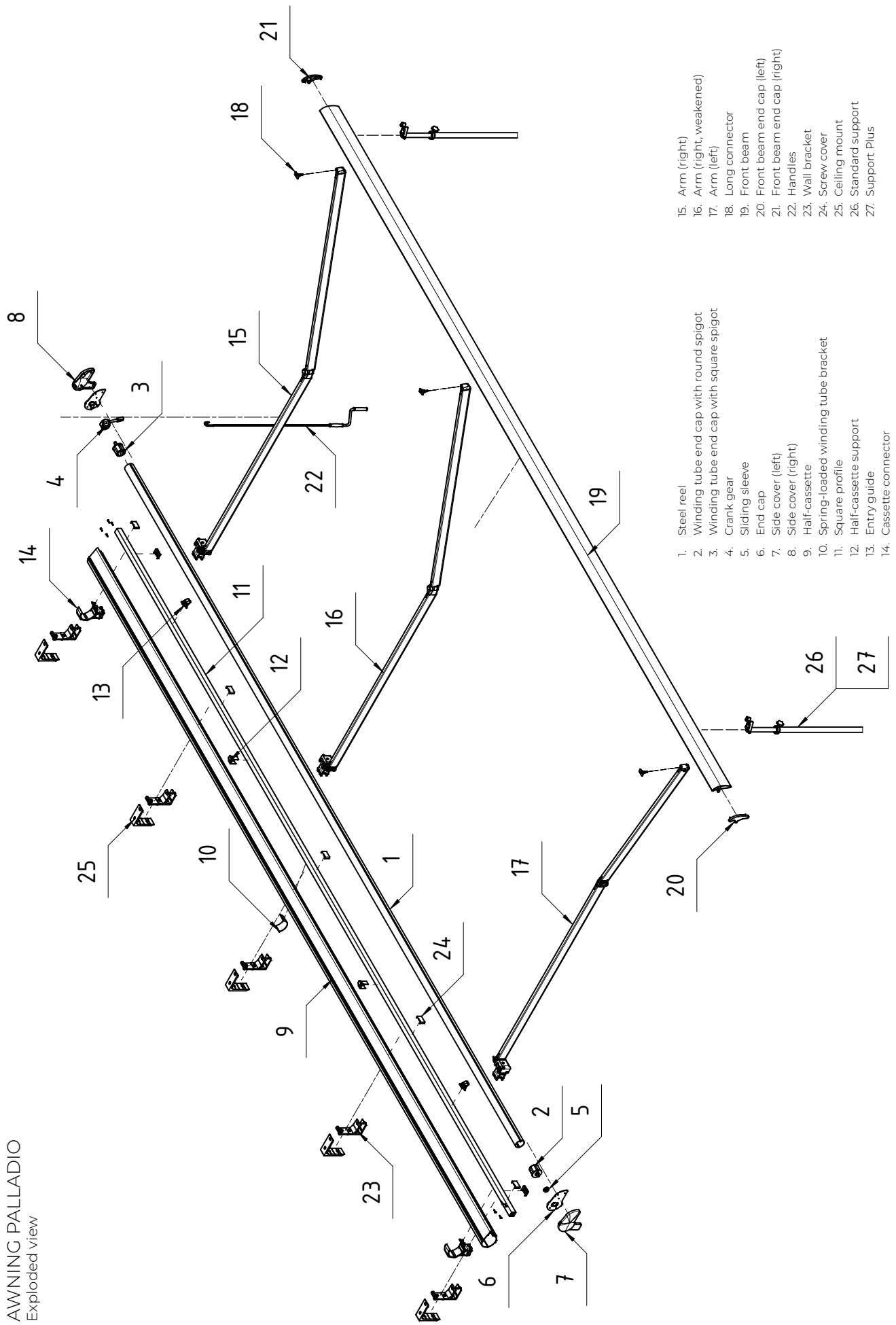
**Note!**

Due to the need for adjustment, a tolerance of up to 2 cm is permitted for the positioning of components.

Position of the 3rd arm bracket on the awning = distance of 1 bracket on the awning from the edge of the awning + arm projection + 27 cm measured from the right-hand side for the left arm or from the left-hand side for the right arm.

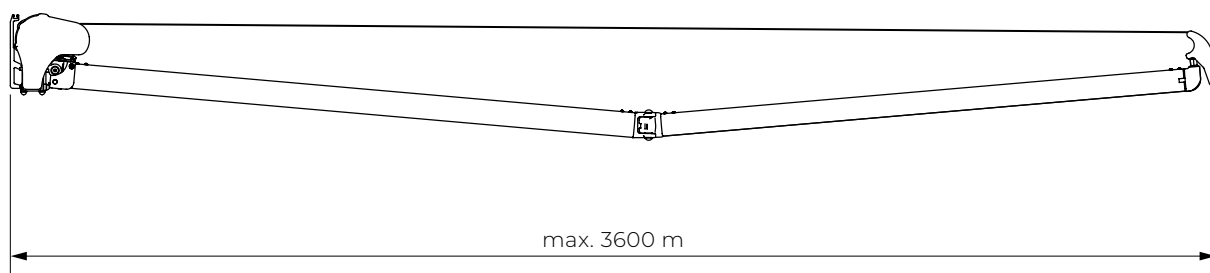
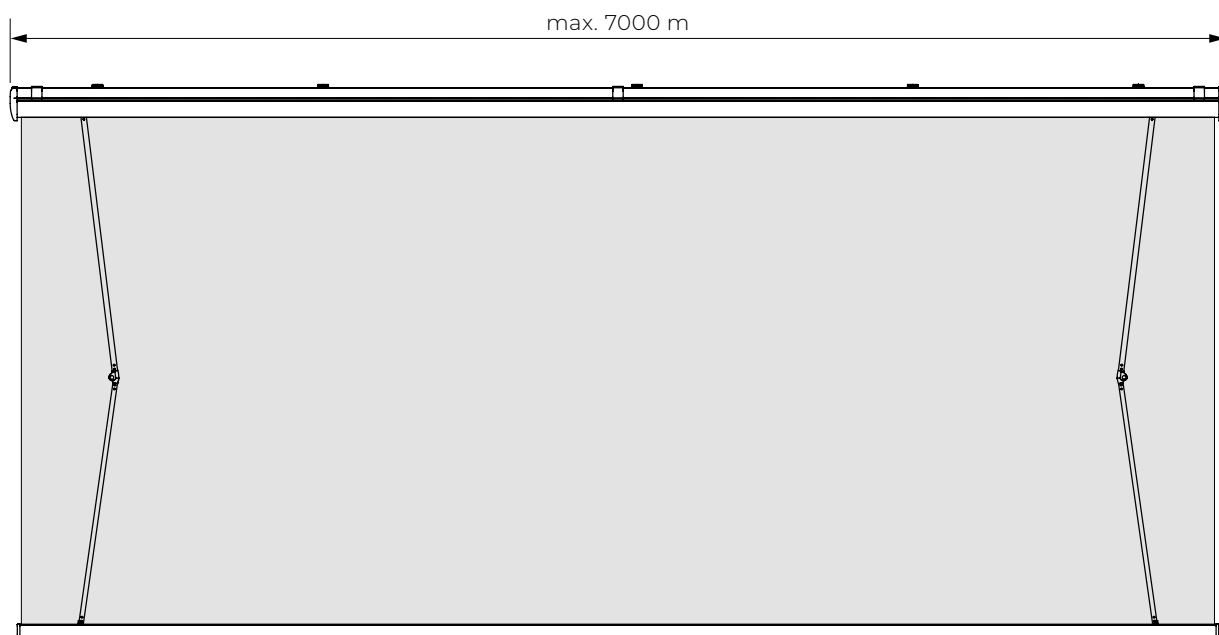


AWNING PALLADIO  
Exploded view

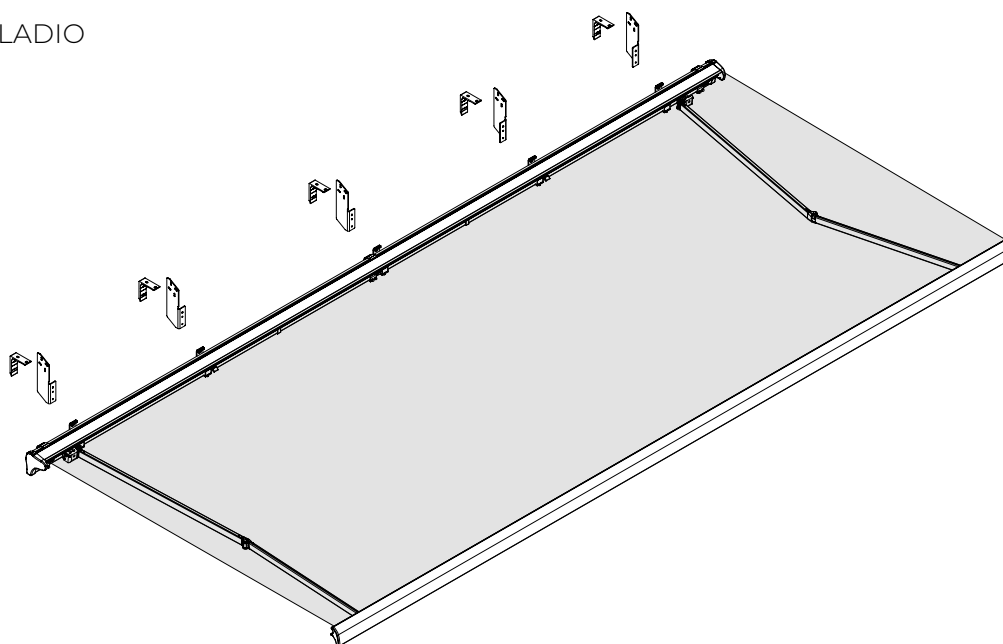


- 1. Steel reel
- 2. Winding tube end cap with round spigot
- 3. Winding tube end cap with square spigot
- 4. Crank gear
- 5. Sliding sleeve
- 6. End cap
- 7. Side cover (left)
- 8. Side cover (right)
- 9. Half-cassette
- 10. Spring-loaded winding tube bracket
- 11. Square profile
- 12. Half-cassette support
- 13. Entry guide
- 14. Cassette connector
- 15. Arm (right)
- 16. Arm (right, weakened)
- 17. Arm (left)
- 18. Long connector
- 19. Front beam
- 20. Front beam end cap (left)
- 21. Front beam end cap (right)
- 22. Handles
- 23. Wall bracket
- 24. Screw cover
- 25. Ceiling mount
- 26. Standard support
- 27. Support-Plus

AWNING PALLADIO  
Maximum projection



AWNING PALLADIO  
Isometric view

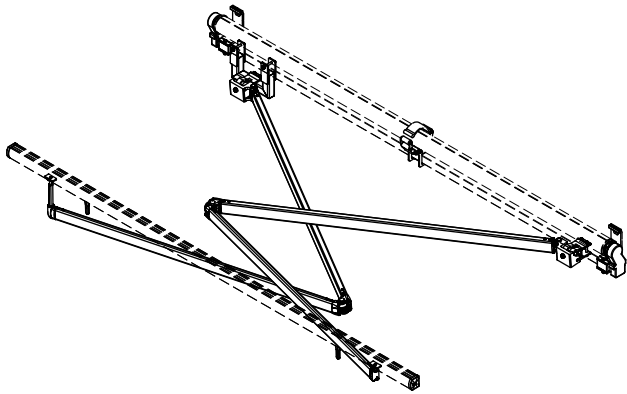


AWNING PALLADIO

Cross arms (optional)

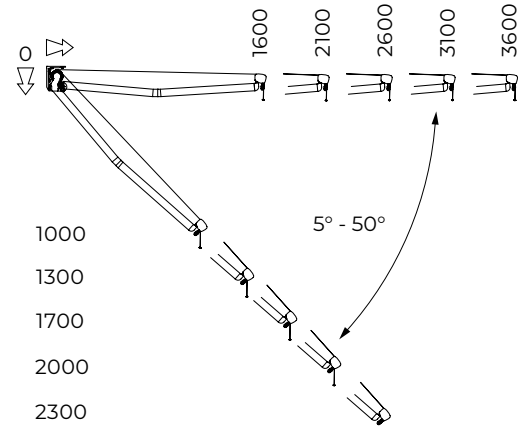
Note

The minimum width of the awning with a set of cross arms is the arm projection minus 400 mm. They cannot be used with a projection of 3600.



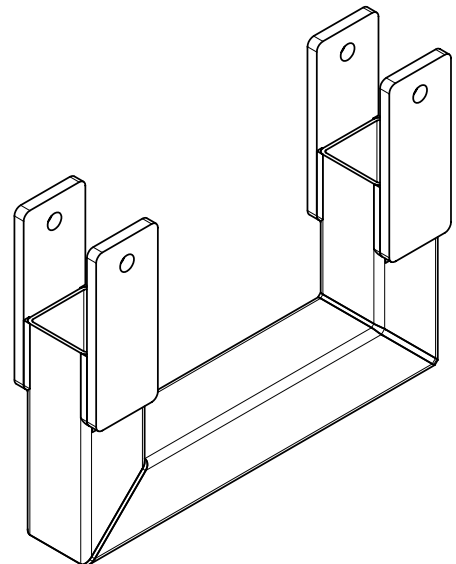
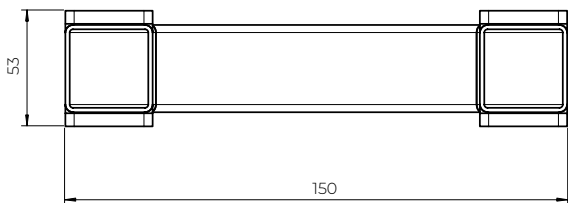
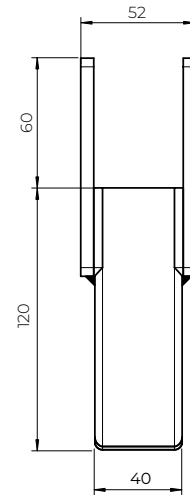
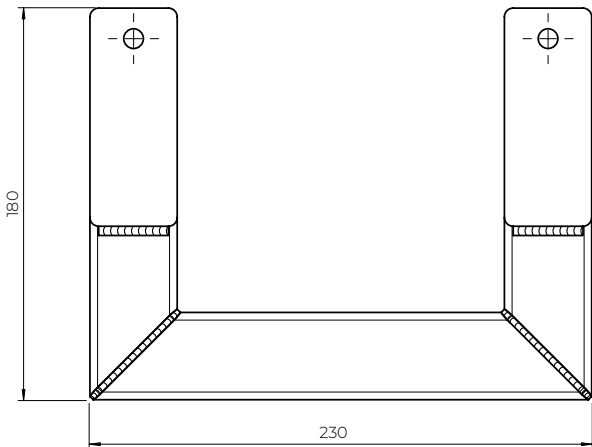
AWNING PALLADIO

Tilt angle

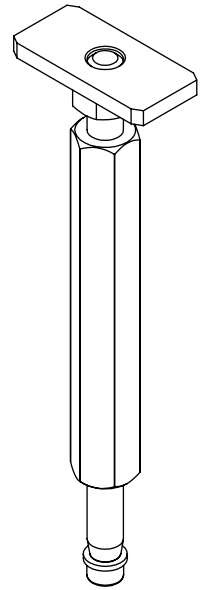
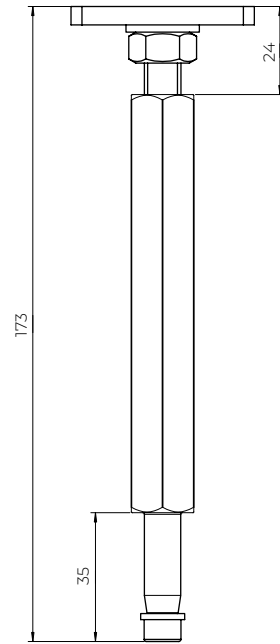
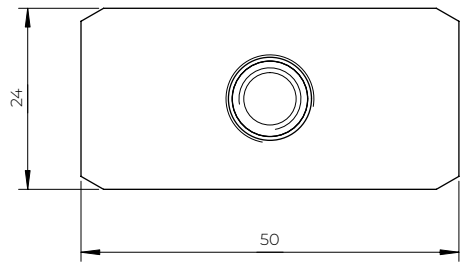


AWNING PALLADIO

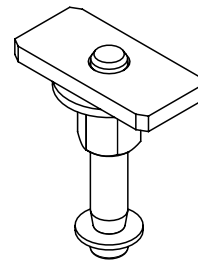
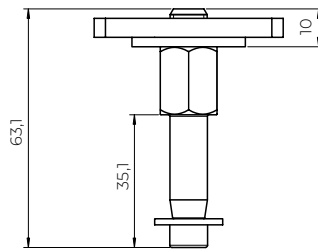
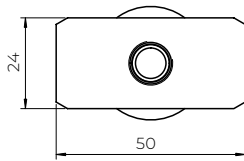
Cross-arm bracket



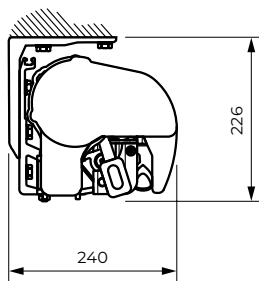
AWNING PALLADIO  
Cross-arm connector



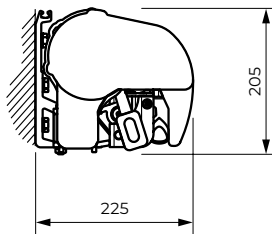
AWNING PALLADIO  
Large arm connector



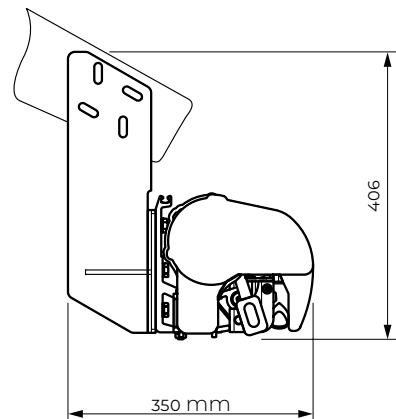
AWNING PALLADIO  
Installation methods



Ceiling installation



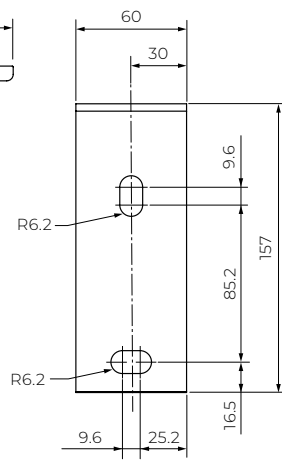
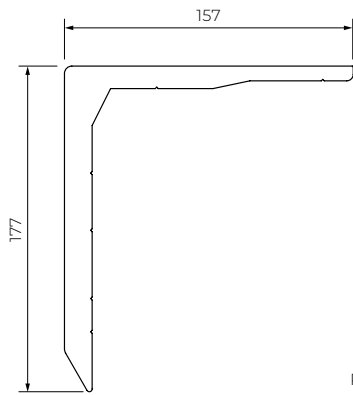
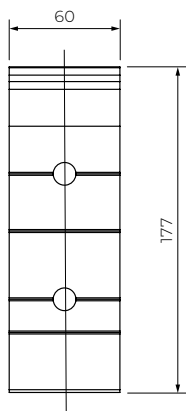
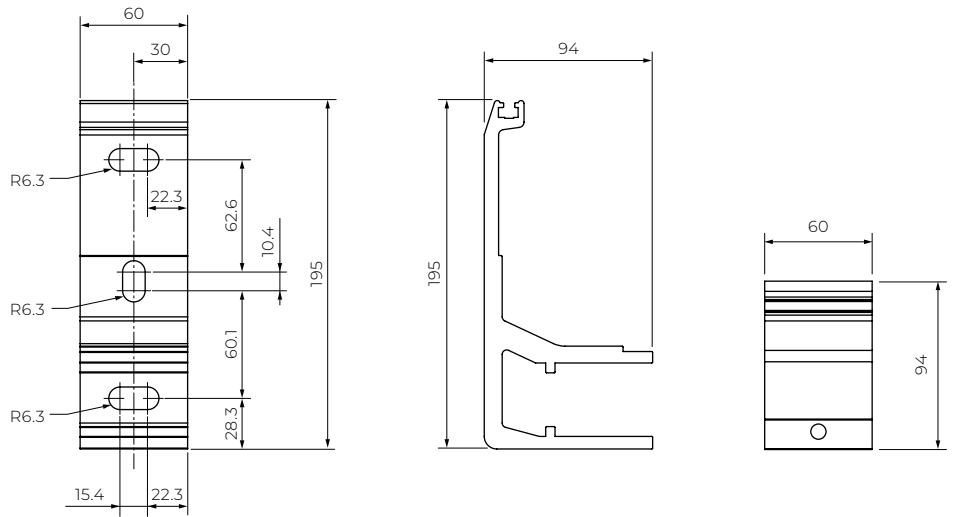
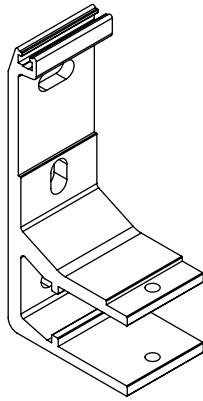
Wall mounting



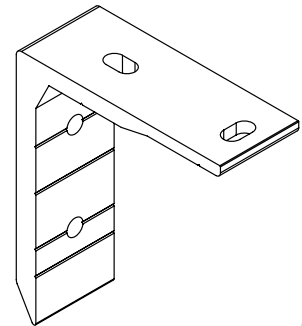
Mounting to roof rafters

AWNING PALLADIO  
Wall bracket

Palladio  
Corsica  
Silver Plus  
Australia  
Jamaica  
Jamaica Volant



AWNING PALLADIO  
Ceiling mount

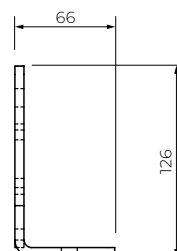
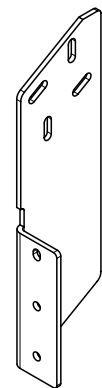
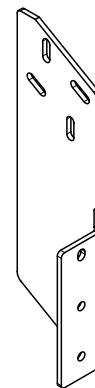
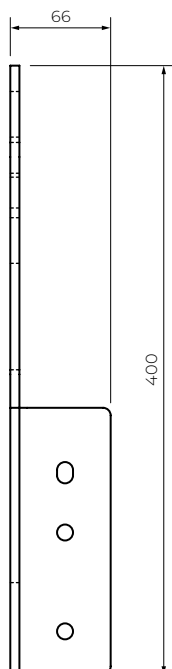
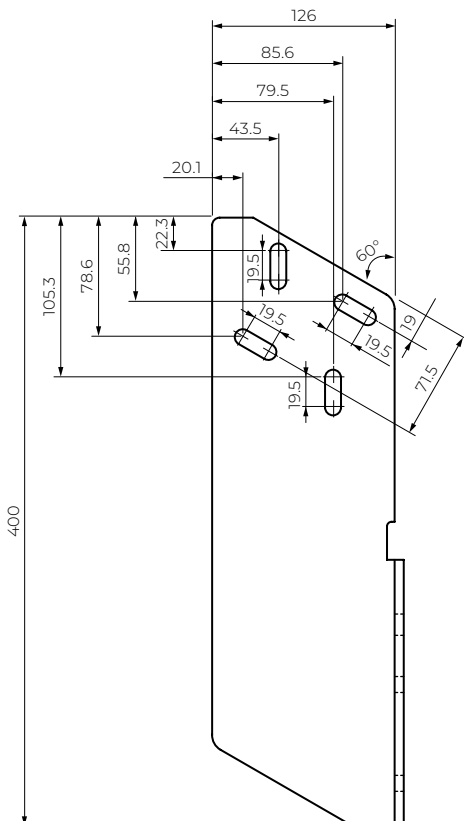


Palladio  
Corsica  
Silver Plus  
Australia  
Jamaica  
Jamaica Volant

AWNING PALLADIO  
Roof bracket

Roof bracket (left)

Roof bracket (right)



Palladio  
Corsica  
Silver Plus  
Australia  
Jamaica  
Jamaica Volant

# AWNING DAKAR

## AWNING DAKAR

Dakar is ideal for shading larger terraces. The fully enclosed, streamlined cassette gives this awning a modern and elegant look whilst protecting the fabric and arms from the elements. To further enhance the protection of the fabric, protective seals have been fitted inside the cassette. The awning's construction features folding arms made of aluminium alloy, which are mounted on die-cast brackets. Precise joints with a stainless steel Flyer chain ensure their durability and reliable operation. Wider awnings are fitted with a roller tube support, ensuring the fabric is tensioned more evenly. The awning structure is powder-coated in white, beige, brown, graphite or silver with a graphite finish.

### APPLICATION:

Sun protection and shading.

### PRODUCT CHARACTERISTICS:

- Extruded aluminium structure
- Flyer chains in the arms
- Winding tube support
- The cassette protects the fabric from the elements
- The use of a protective seal in the cassette provides additional protection for the fabric
- Telescopic supports available
- Simple operation using fully automated controls
- Dedicated standard telescopic support

### TECHNICAL PARAMETERS

- Colour scheme RAL
- Electric drive YES
- Manual drive YES
- Maximum width 6000 mm
- Maximum projection 3600 mm
- Cassette YES
- Tilt angle 5°-40°
- Steel reel Ø78
- Sheathing 150 patterns
- Valance YES (Standard 210 mm)
- Telescopic support Standard YES
- Telescopic support Plus NO

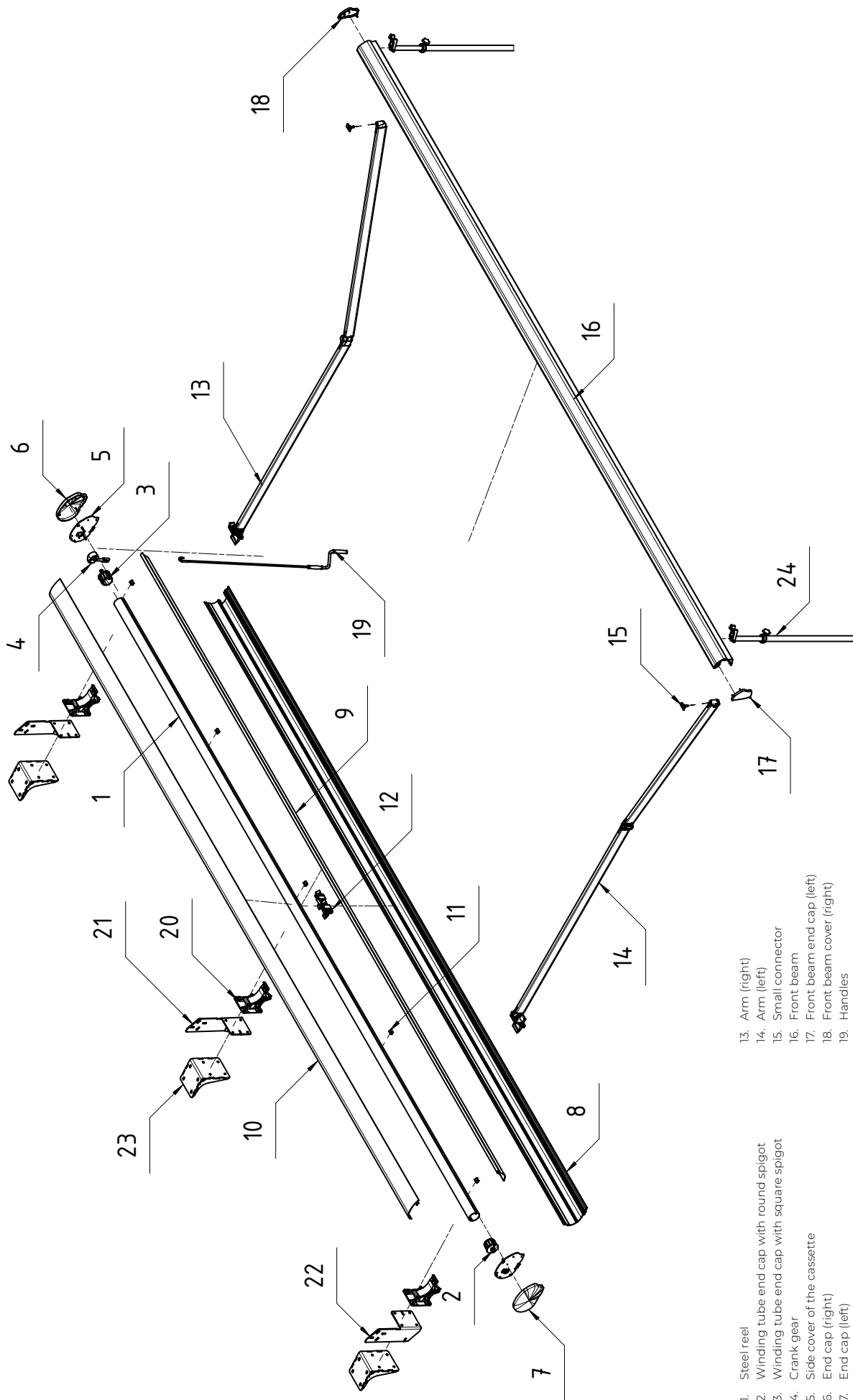
NUMBER OF WALL BRACKETS		
DAKAR	Awning width (mm)	
	0-4100	4101-6000
Number of brackets	2	3

POSITIONING OF ARM BRACKETS								
DAKAR		Total awning width (including end caps, covers, etc.) (mm)						
		0-2300	2301-2900	2901-3500	3501-4100	4101-4700	4701-5300	5301-5900
Projection (mm)	1600	from 2000 → 130	230	230	230	230	230	230
	2100		from 2500 → 130	230	230	230	230	230
	2600			from 3000 → 230	230	230	230	230
	3100			from 3500 → 130	130	230	230	230
	3600				from 4000 → 130	130	230	230

WEIGHT OF THE DAKAR AWNING (kg)						
Projection (mm)	Width (mm)					
	2 pcs. brackets			3 pcs. brackets		
	2000-2900	2901-3500	3501-4100	4101-4700	4701-5300	5301-6000
1600	59,5	71	71	88	94,5	108
2100	from 2500 → 62	75	77	88	97	104,5
2600		from 3000 → 76,5	80	91	102,5	111
3100			81	95	104	113,5
3600			from 4000 → 87,5	87,5	108,5	119

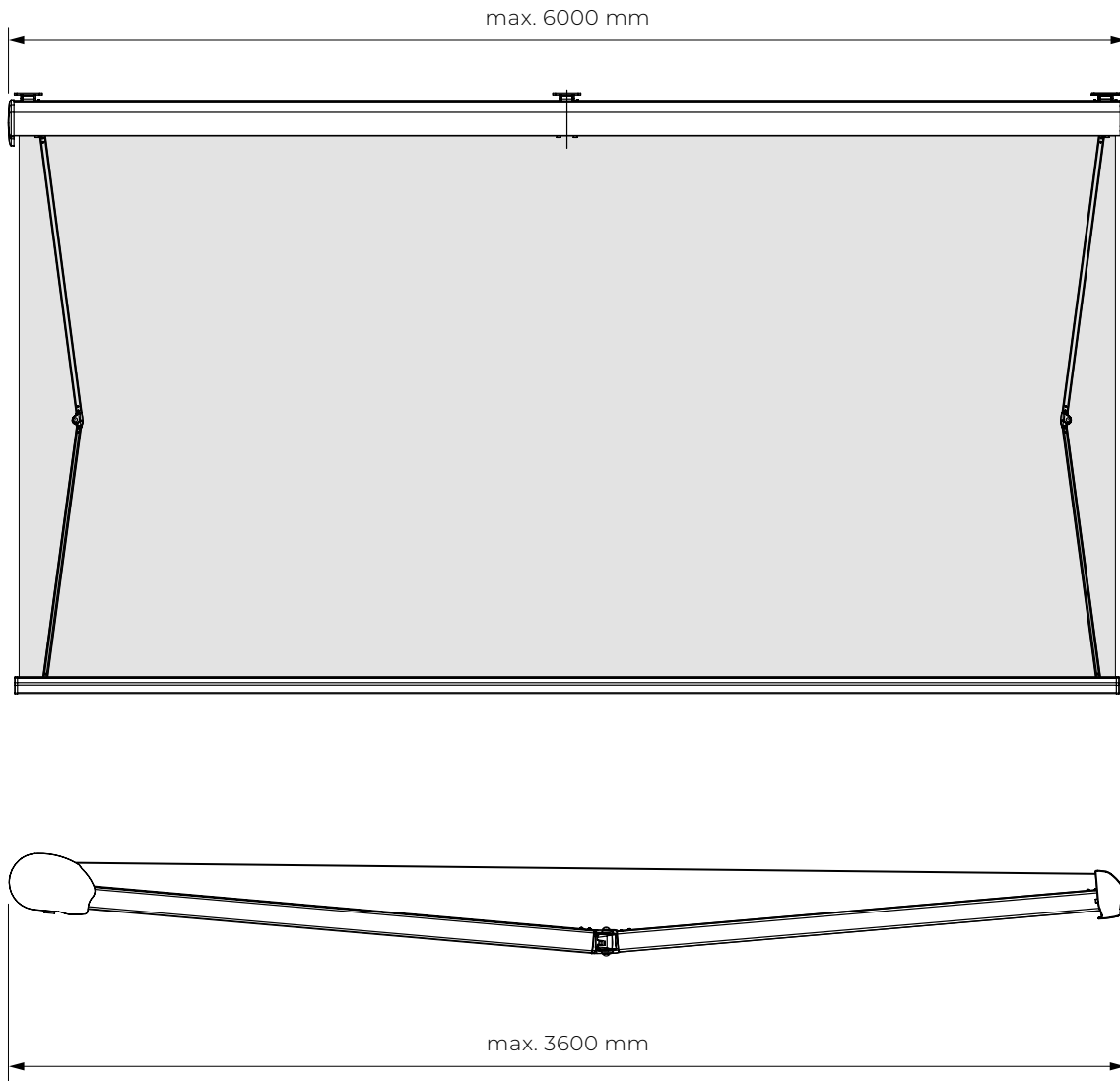
Ceiling mount = 4 kg, rafter mount = 3 kg

AWNING DAKAR  
Exploded view

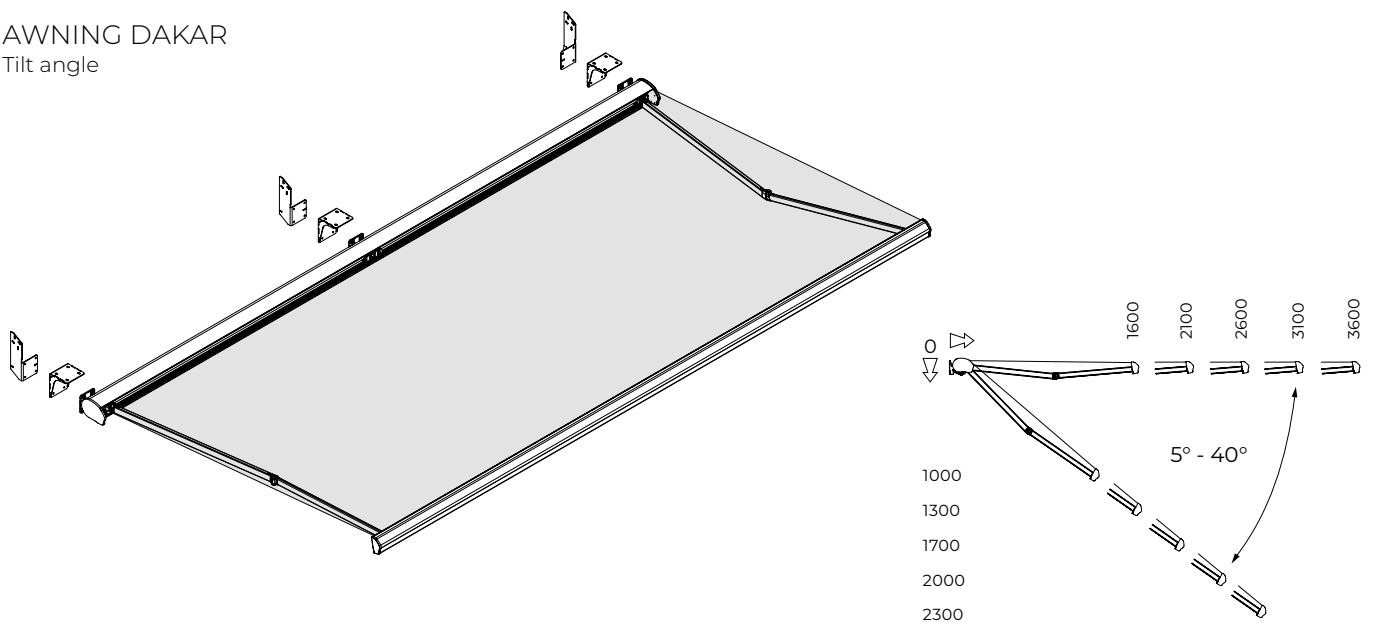


- |  |                                |
|--|--------------------------------|
| 1. Steel reel                              | 13. Arm (right)                |
| 2. Winding tube end cap with round spigot  | 14. Arm (left)                 |
| 3. Winding tube end cap with square spigot | 15. Small connector            |
| 4. Crank gear                              | 16. Front beam                 |
| 5. Side cover of the cassette              | 17. Front beam end cap (left)  |
| 6. End cap (right)                         | 18. Front beam end cap (right) |
| 7. End cap (left)                          | 19. Handles                    |
| 8. Lower part of the cassette              | 20. Wall bracket               |
| 9. Cassette middle section                 | 21. Roof bracket (left)        |
| 10. Cassette cover                         | 22. Roof bracket (right)       |
| 11. Top cover stop                         | 23. Ceiling mount              |
| 12. Winding tube bracket                   | 24. Standard support           |

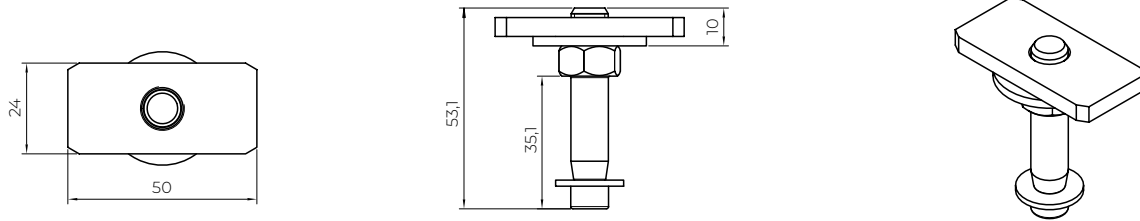
AWNING DAKAR  
Maximum projection



AWNING DAKAR  
Tilt angle

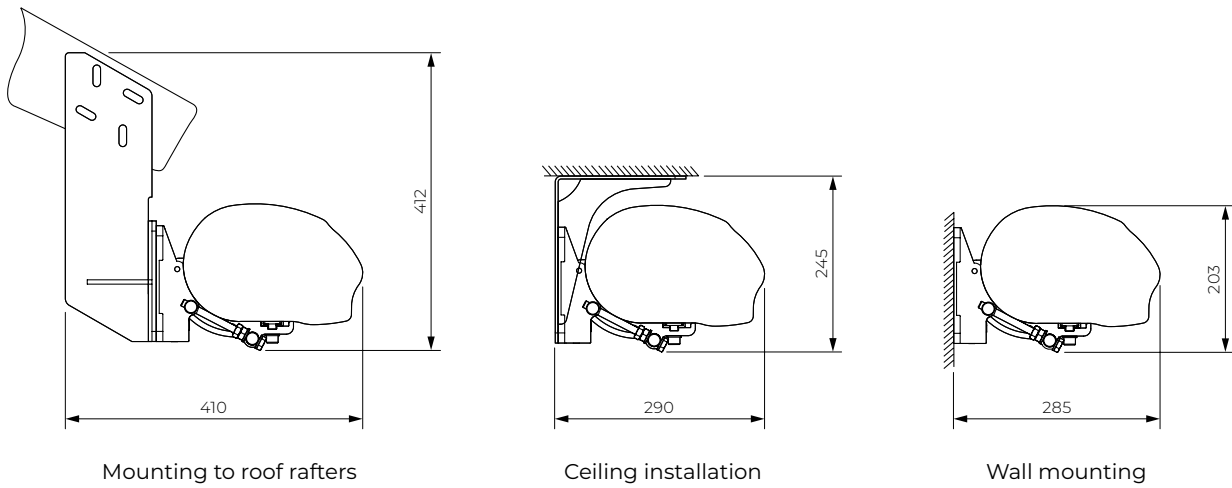


SMALL CONNECTOR



Dakar  
Casablanca  
Australia

AWNING DAKAR  
Installation methods

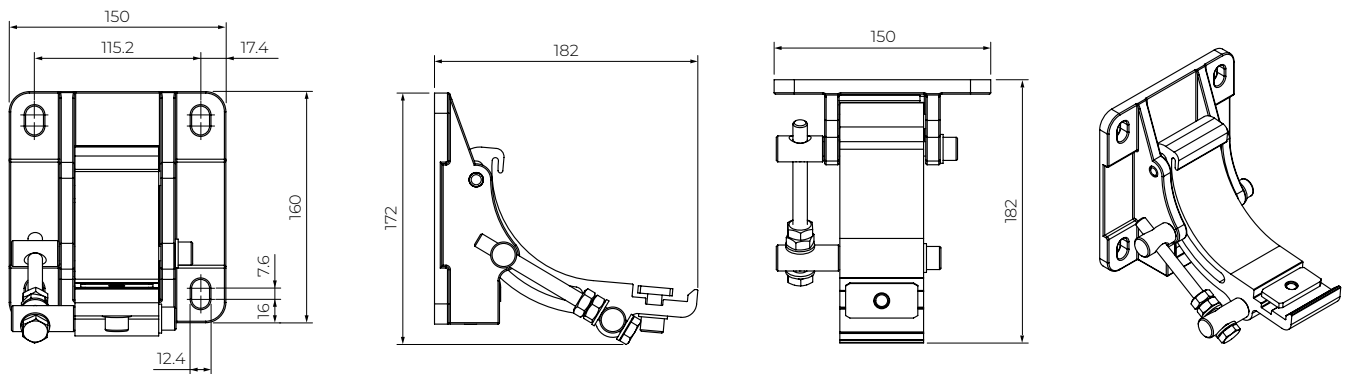


Mounting to roof rafters

Ceiling installation

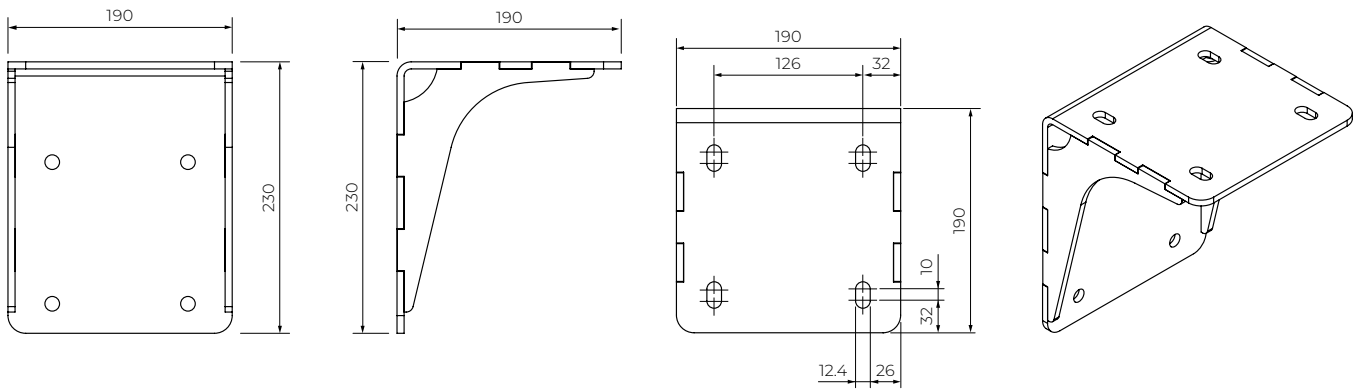
Wall mounting

WALL BRACKET



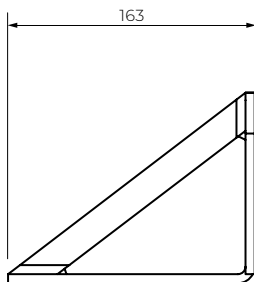
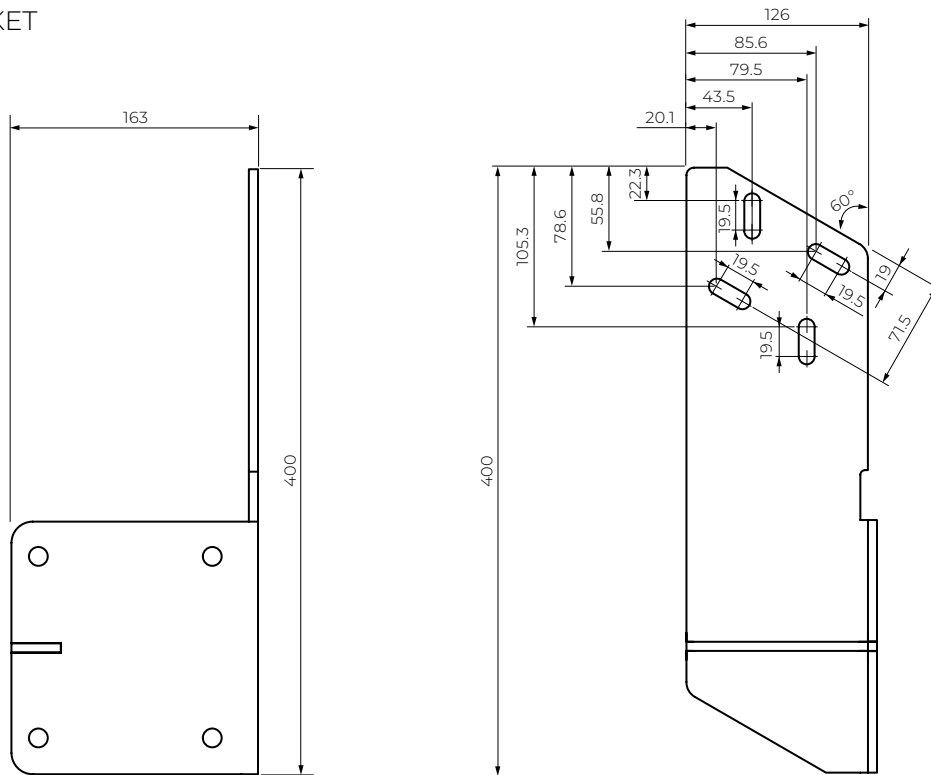
Dakar  
Casablanca

CEILING MOUNT

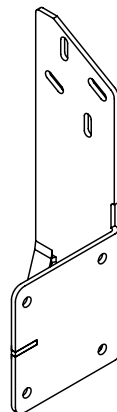


Dakar  
Casablanca

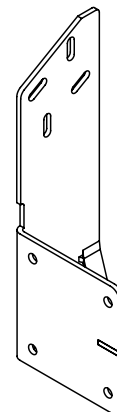
ROOF BRACKET



Roof bracket  
(left)



Roof bracket  
(right)



Dakar  
Casablanca

# AWNING CASABLANCA

## AWNING CASABLANCA

Casablanca is a cassette awning that is ideal for larger terraces. Thanks to its design, this awning not only provides perfect sun protection but also serves as an aesthetic decorative element for the building. The durability and strength of the system are ensured by a specially designed structure made of extruded aluminium. The use of a Flyer chain in the arm construction guarantees reliable and safe operation of the awning. Wider awnings are fitted with a roller tube support, ensuring the fabric is tensioned more evenly. The use of special protective seals inside the cassette provides the fabric with additional protection against the elements. Furthermore, a suitably selected electric control system, combined with weather-sensing automation, ensures that operating the Casablanca awning is very simple and practical.

### APPLICATION:

Sun protection and shading.

### PRODUCT CHARACTERISTICS:

- Extruded aluminium structure
- Flyer chains in the arms
- Winding tube support for large widths
- Cassette shielding the fabric from the elements
- The use of a protective seal in the cassette provides additional protection for the fabric
- Use of aluminium side panels
- Simple operation using fully automated controls

### TECHNICAL PARAMETERS

- Colour scheme RAL
- Electric drive YES
- Manual drive YES
- Maximum width 6000 mm
- Maximum projection 3600 mm
- Cassette YES
- Tilt angle 5°-40°
- Steel reel Ø78
- Sheathing 150 patterns
- Valance NO
- Telescopic support Standard NO
- Telescopic support Plus NO

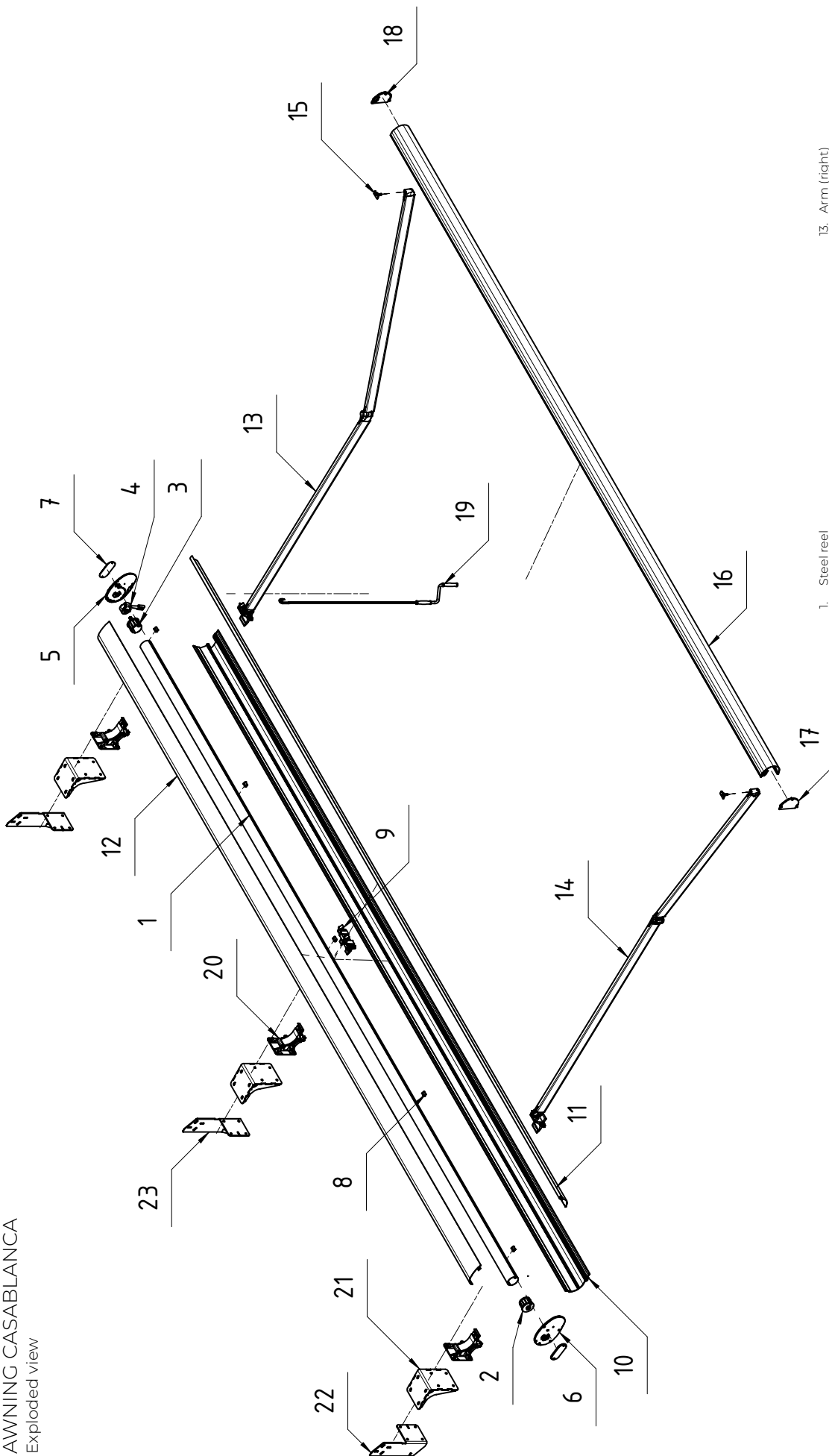
CASABLANCA AWNING WEIGHT (kg)						
Projection (mm)	Width (mm)					
	2 pcs. brackets			3 pcs. brackets		
	2000-2900	2901-3500	3501-4100	4101-4700	4701-5300	5301-6000
1600	68	68	74	84	90	98
2100	from 2500 → 71,5	69	74	86,5	92	103
2600		from 3000 → 74,5	78,5	88	96	105
3100			80	92	100	109,5
3600			from 4000 → 85,5	97	106	116

Ceiling mount = 4 kg, rafter mount = 3 kg

NUMBER OF WALL BRACKETS		
CASABLANCA	Awning width (mm)	
	0-4100	4101-6000
Number of brackets	2	3

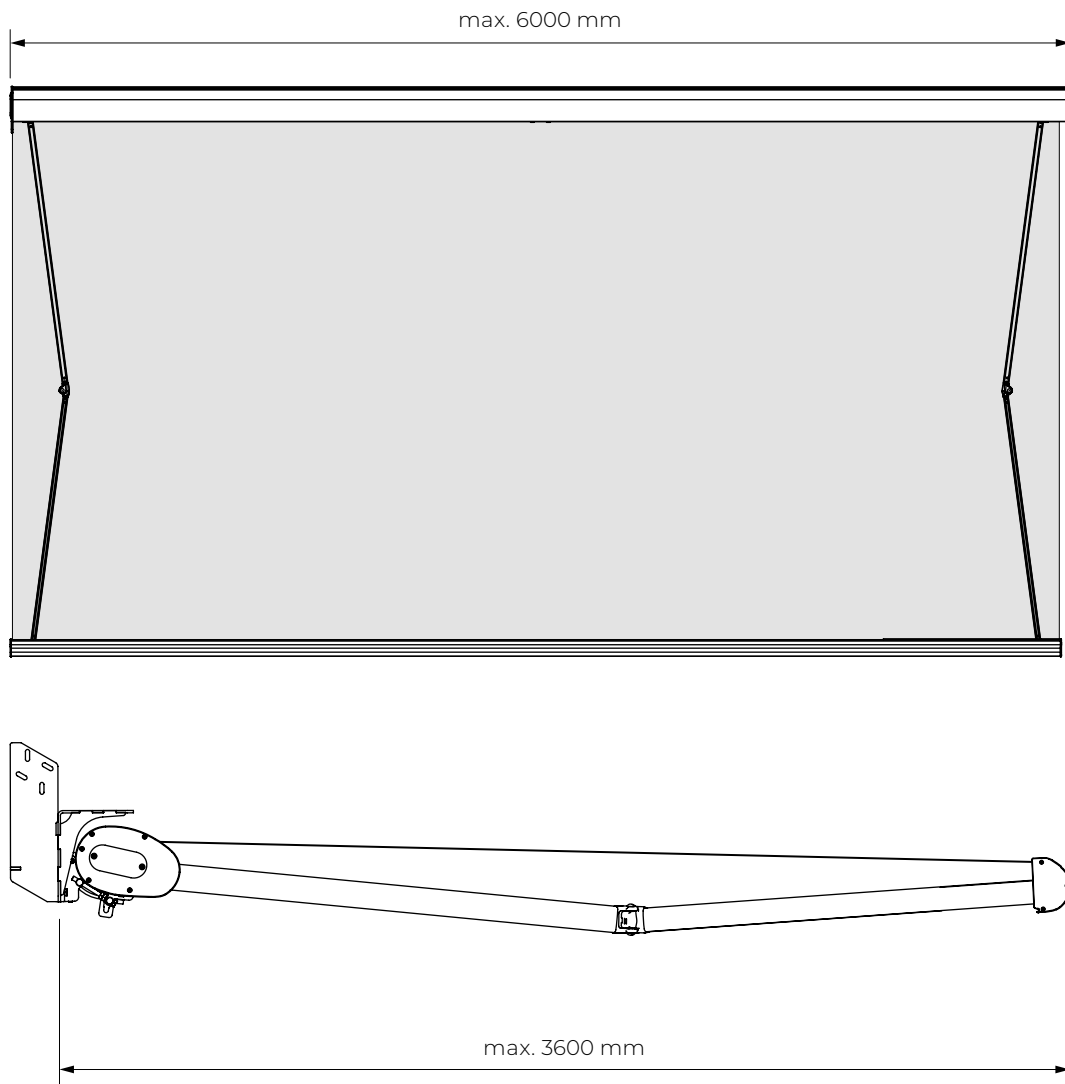
POSITIONING OF ARM BRACKETS								
CASABLANCA		Total awning width (including end caps, covers, etc.) (mm)						
		0-2300	2301-2900	2901-3500	3501-4100	4101-4700	4701-5300	5301-5900
Projection (mm)	1600	from 200 → 120	220	220	220	220	220	220
	2100		from 250 → 120	120	220	220	220	220
	2600			from 300 → 220	220	220	220	220
	3100			from 350 → 120	120	220	220	220
	3600				from 400 → 120	120	220	220

AWNING CASABLANCA  
Exploded view

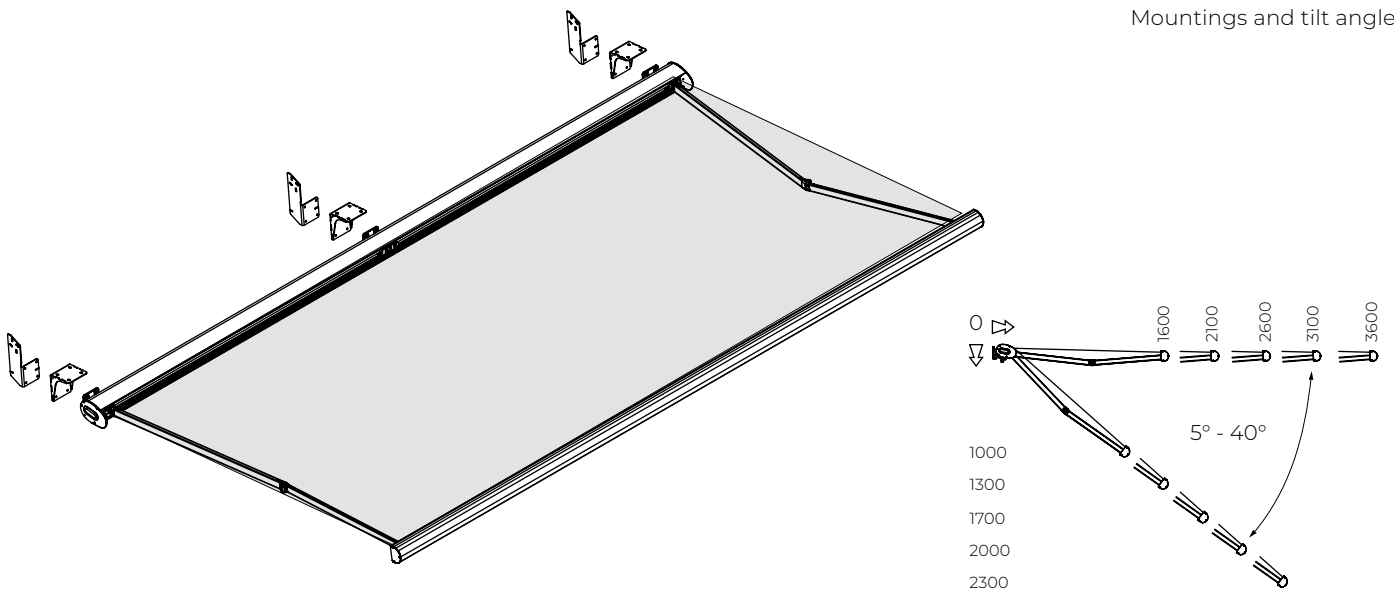


- |  |                                |
|--|--------------------------------|
| 1. Steel reel                              | 13. Arm (right)                |
| 2. Winding tube end cap with hole          | 14. Arm (left)                 |
| 3. Winding tube end cap with square spigot | 15. Short connector            |
| 4. Crank gear                              | 16. Front beam                 |
| 5. End cap (right)                         | 17. Front beam end cap (left)  |
| 6. End cap (left)                          | 18. Front beam end cap (right) |
| 7. Side cover cover                        | 19. Handles                    |
| 8. Top cover stop                          | 20. Wall bracket               |
| 9. Winding tube bracket                    | 21. Ceiling mount              |
| 10. Lower part of the cassette             | 22. Roof bracket (right)       |
| 11. Cassette middle section                | 23. Roof bracket (left)        |
| 12. Cassette cover                         |                                |

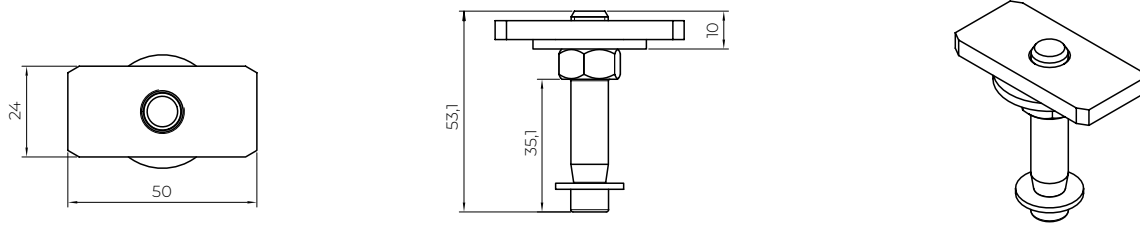
AWNING CASABLANCA  
Maximum projection



AWNING CASABLANCA  
Mountings and tilt angle

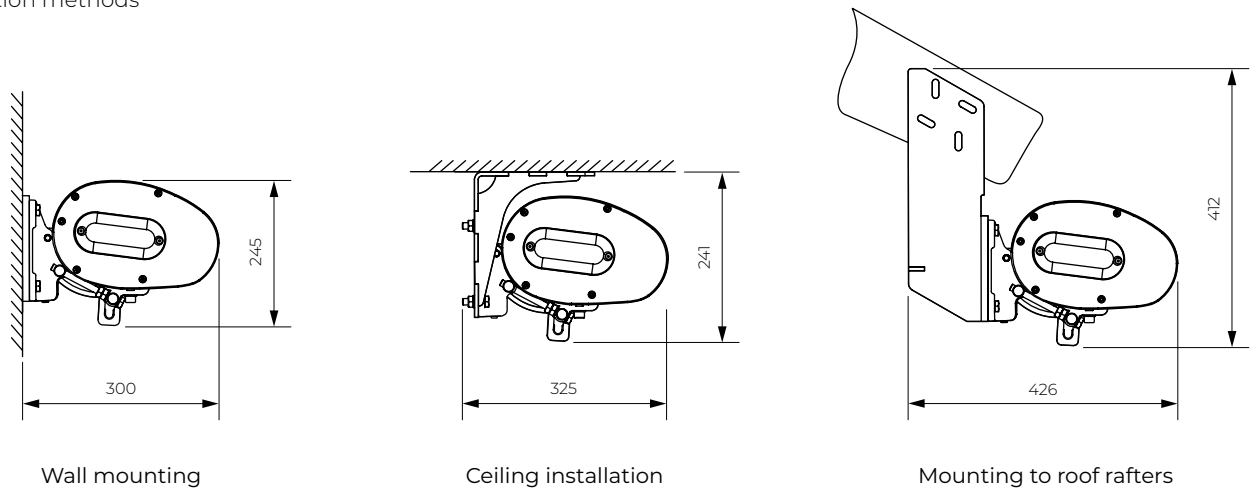


Small connector



Casablanca  
Dakar  
Australia

AWNING CASABLANCA  
Installation methods

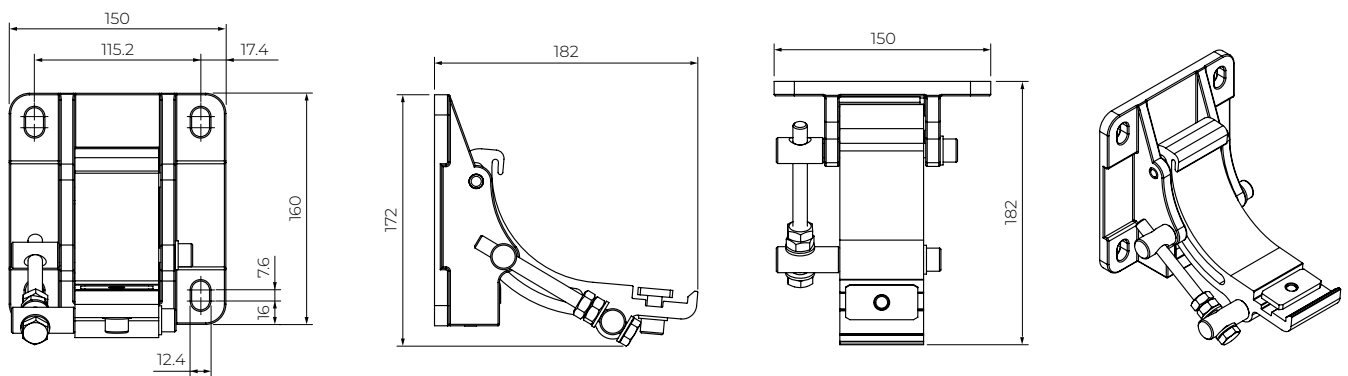


Wall mounting

Ceiling installation

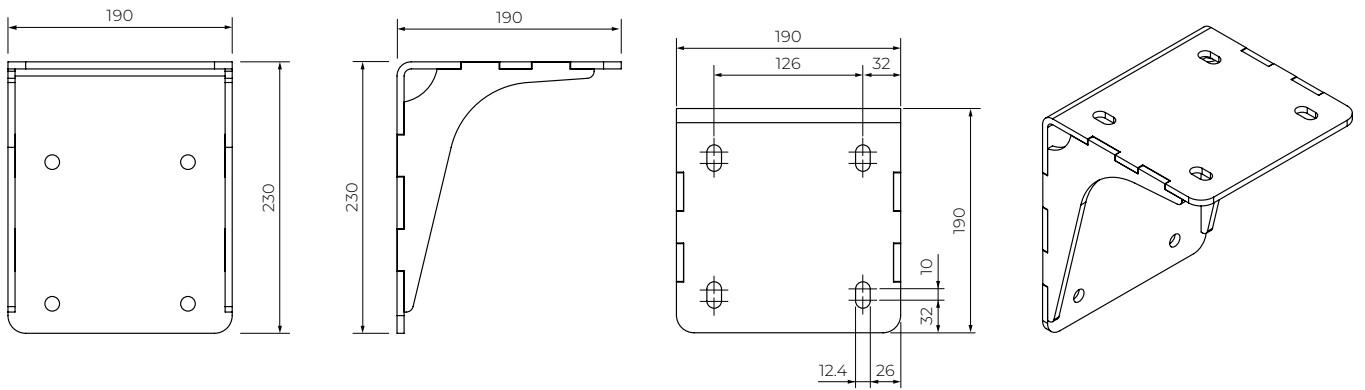
Mounting to roof rafters

Wall bracket



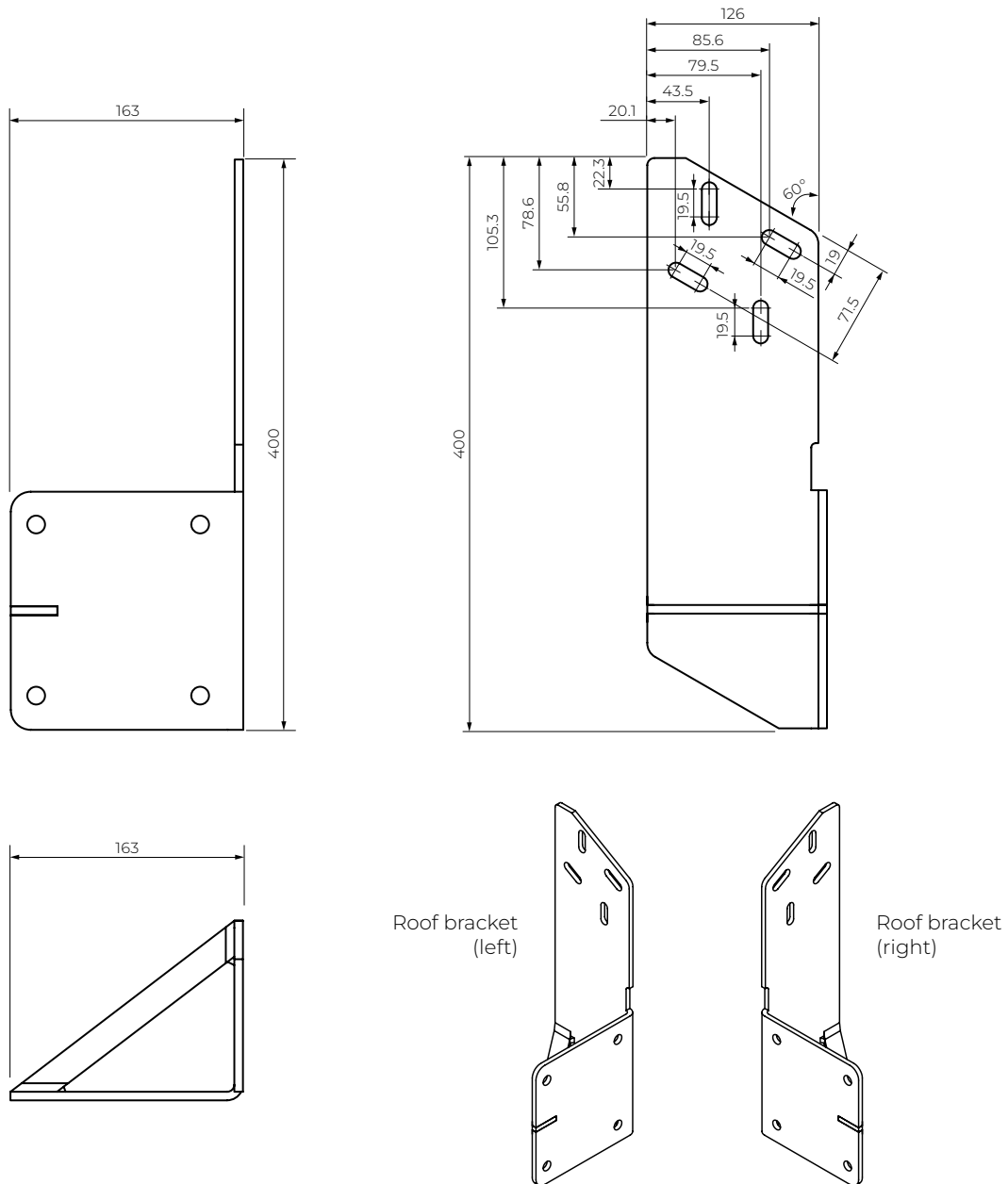
Casablanca  
Dakar

Ceiling mount



Casablanca  
Dakar

Roof bracket



Casablanca  
Dakar

# AWNING CORSICA

## AWNING CORSICA

Corsica is a cassette awning designed to provide shade for modern terraces. The system's structure is made of extruded aluminium, ensuring its durability and strength. Furthermore, the use of Flyer chain arms in the construction, combined with the precision of the joints, guarantees the awning reliable, long-lasting operation. The system's cassette is based on a square support beam, which, given the large dimensions, ensures the stability of the entire structure whilst significantly simplifying its installation. The awning's design allows for the installation of LED lighting, enabling the user to fully enjoy the charms of summer evenings. Thanks to its aesthetic qualities, the Corsica, in addition to its shading function, can also serve as an excellent decorative element for a building, emphasising its individual and unique character.

### APPLICATION:

Sun protection and shading.

### PRODUCT CHARACTERISTICS:

- Extruded aluminium structure
- Flyer chains in the arms
- Square support beam
- The cassette protects the fabric from the elements
- The load-bearing beam facilitates system installation
- Simple operation using fully automated controls
- Use of aluminium side panels
- Option to fit LED lighting in the bottom profile

### TECHNICAL PARAMETERS:

- Colour scheme RAL
- Electric drive YES
- Manual drive NO
- Maximum width 7000 mm
- Maximum projection 3600 mm
- Cassette YES
- Tilt angle 5°-35°
- Steel reel Ø70
- Sheathing 150 patterns
- Valance NO
- Telescopic support Standard NO
- Telescopic support Plus NO

TECHNICAL SPECIFICATIONS OF THE LED STRIP IN THE COVER (SELF-ASSEMBLY OPTION)	
Type of LED strip	COB (linear – LEDs embedded in a strip)
Power supply	12 V DC
Load	6 W / mb
Number of LEDs	320 LED / mb
Brightness	612 lm/mb
Light colour	3000 K (warm white)
Colour rendering index CRI (Ra)	90
Beam angle	180°
Current consumption	0,5 A/m
Protection degree	IP 65
Length of tape section / cut-off	5 mb lub 7 mb / co 25 mm
LED strip width	8 mm
Operating temperature	-20° C this +50° C
Fitting length	4,1 mb / 5,3 mb / 7 mb

## TECHNICAL SUPPLEMENT – AWNINGS

WEIGHT OF THE CORSICA AWNING (kg)								
Projection (mm)	Width (mm)							
	2 pcs. brackets		3 pcs. brackets		4 pcs. brackets		5 pcs. brackets	
	2100-2900	2901-3500	3501-4100	4101-4700	4701-5300	5301-5900	5901-6500	6501-7000
1600	71	73	74	81	88,5	95	108	117
2100	from 2600 → 72,5	73	77	84	93,5	107	115,5	121,5
2600		from 3100 → 75,5	80	88,5	94,5	110	119	126
3100			from 3600 → 82,5	91	98,5	106,5	122	130,5
3600				94,5	105	112	122	137,5

Ceiling bracket = 0.6 kg, rafter bracket = 2.5 kg

NUMBER OF WALL BRACKETS				
CORSICA	Awning width (mm)			
	0-3500	3501-4700	4701-5900	5901-7000
Number of brackets	2	3	4	5

**Note!**

It is recommended to install the end wall brackets at a distance of 200 to 450 mm from the ends of the awning, and to space the remaining brackets at equal intervals.

POSITIONING OF ARM BRACKETS										
CORSICA		Total awning width (including end caps, covers, etc.) (mm)								
		0-2300	2301-2900	2901-3500	3501-4100	4101-4700	4701-5300	5301-5900	5901-6500	6501-7000
Projection (mm)	1600	from 2100 → 95	125	425	725	725	725	725	725	725
								2595	2595	2595
	2100		from 2600 → 105	105	425	525	625	405	525	625
								2795	2895	2995
								425	525	625
	2600			from 3100 → 105	325	425	625	3295	3395	3495
								325	525	525
	3100				from 360 → 105	325	625	725	3695	3895
								325	525	525
	3600				from 410 → 105	105	425	725	725	325
4195										

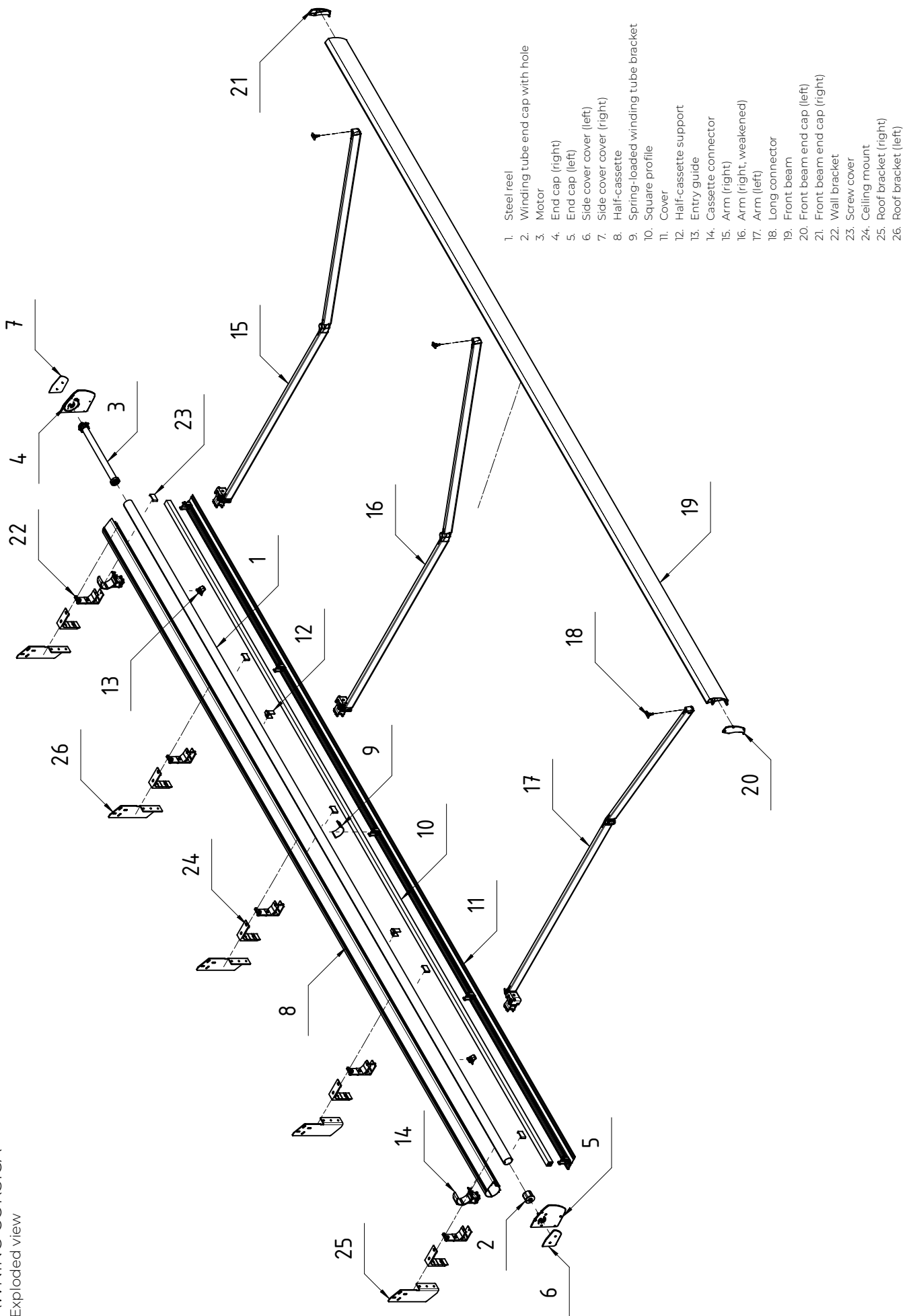
A third arm is added

The third arm is positioned in accordance with the lower dimension of the green area. For the right-hand third arm, the measurement is taken from the left-hand side, and for the left-hand third arm, from the right-hand side.

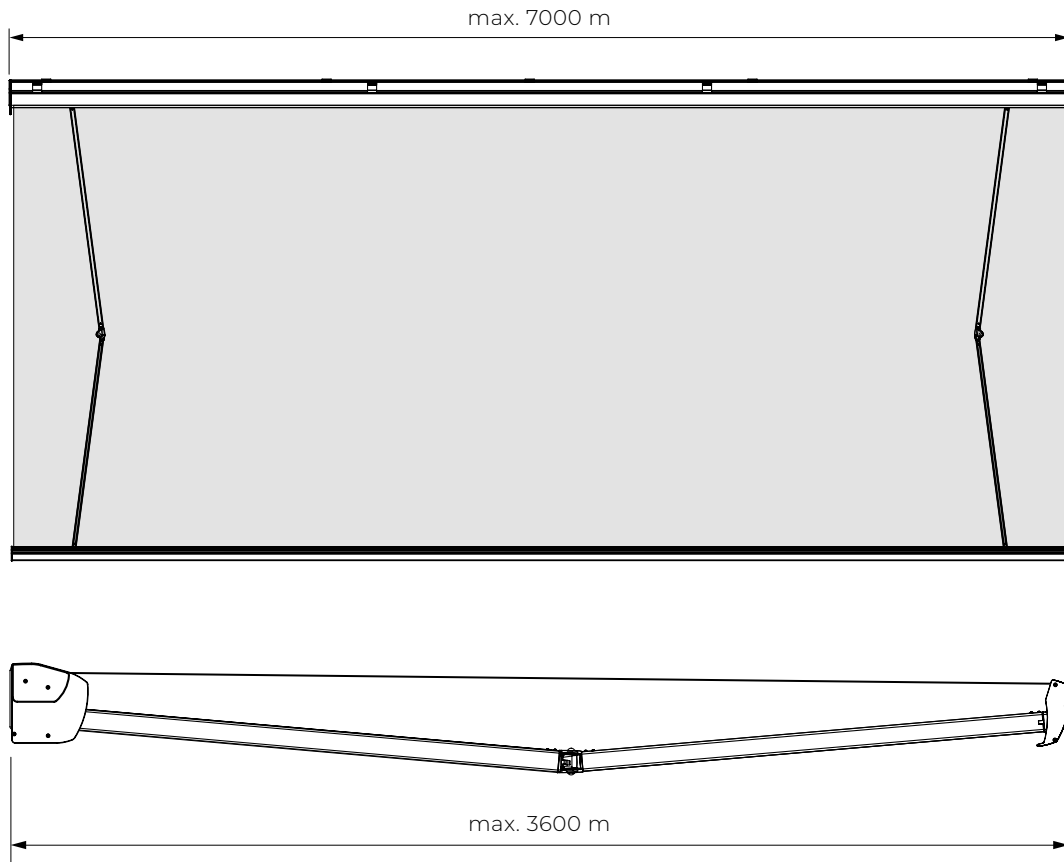
**Note!**

Due to the need for adjustment, a tolerance of up to 20 mm is permitted for the positioning of components. Position of the 3rd arm bracket in the awning = distance of 1 bracket in the awning from the edge of the awning + arm projection + 270 mm measured from the right-hand side for the left arm or from the left-hand side for the right arm.

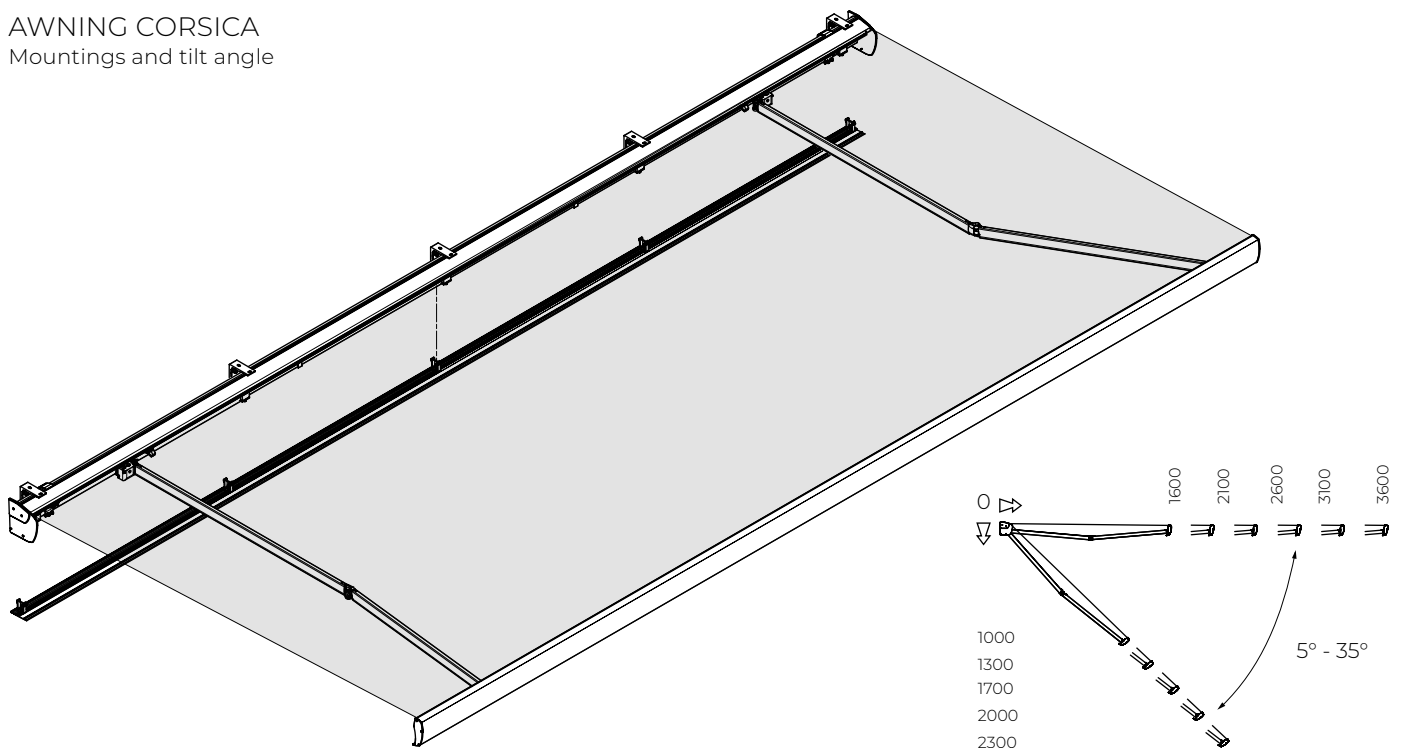
AWNING CORSICA  
Exploded view



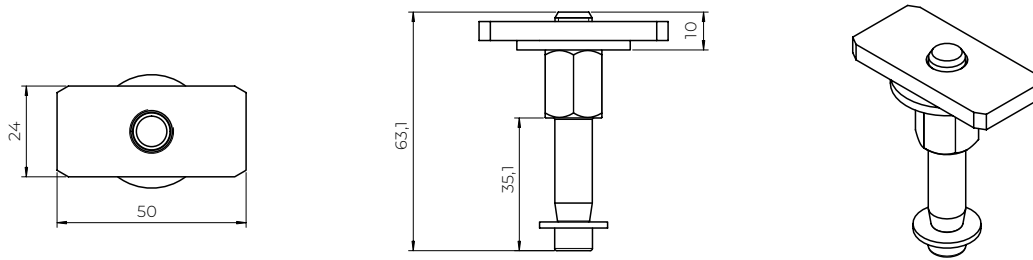
AWNING CORSICA  
Maximum projection



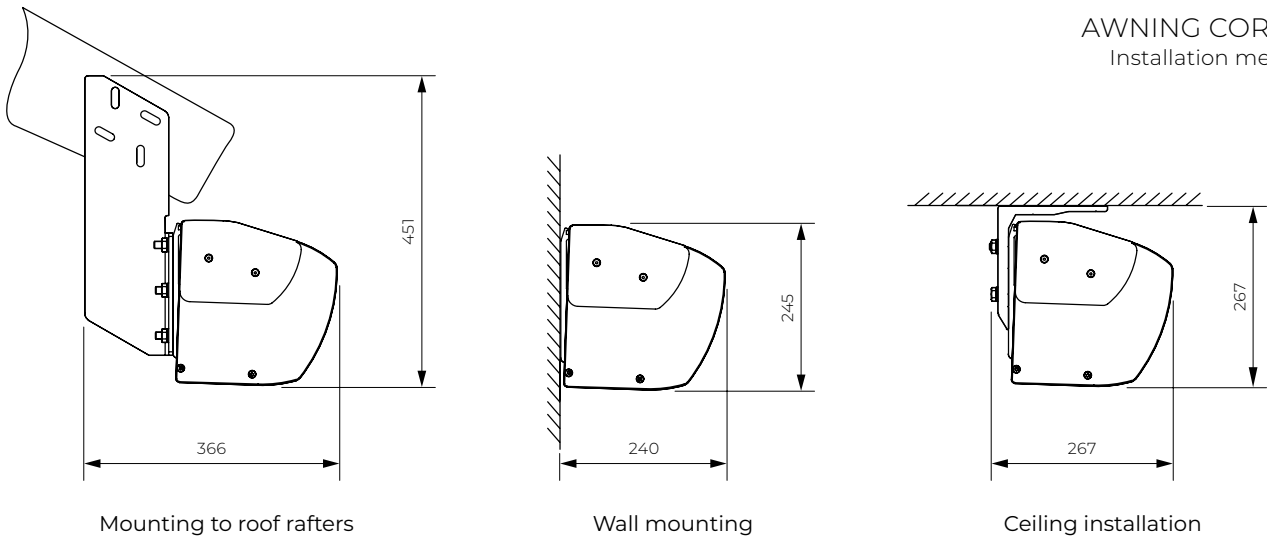
AWNING CORSICA  
Mountings and tilt angle



AWNING CORSICA  
Large arm connector



AWNING CORSICA  
Installation methods

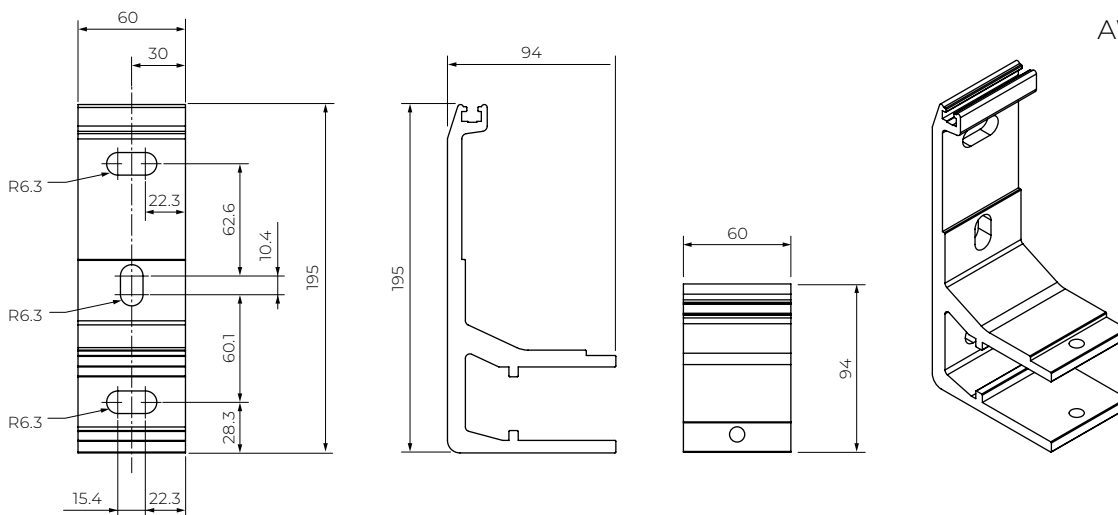


Mounting to roof rafters

Wall mounting

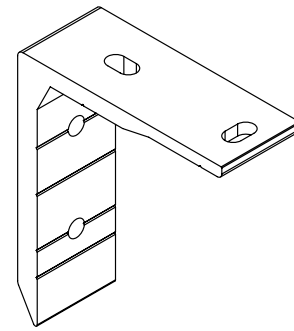
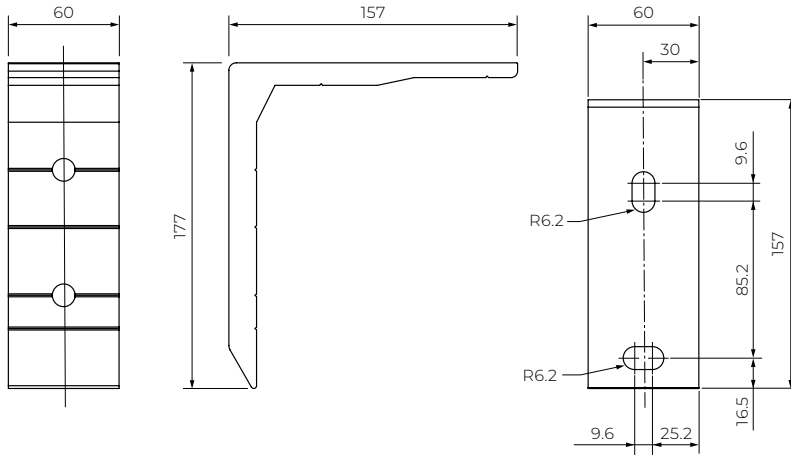
Ceiling installation

AWNING CORSICA  
Wall bracket



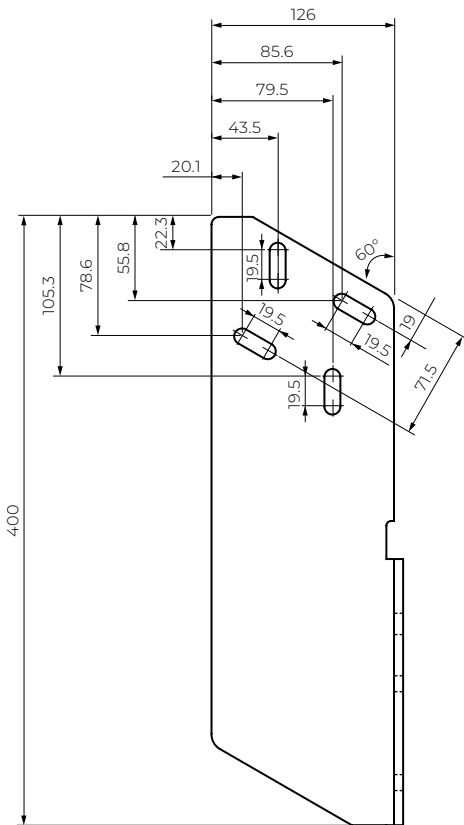
Corsica  
Silver Plus  
Australia  
Jamaica  
Jamaica Volant  
PalladioPalladio

AWNING CORSICA  
Ceiling mount



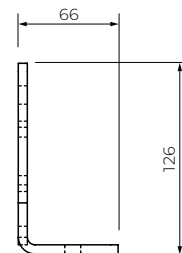
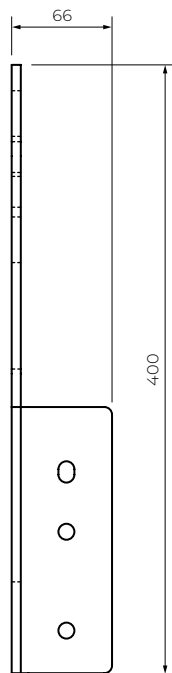
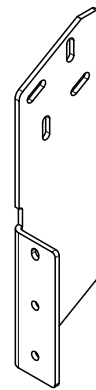
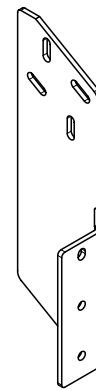
Corsica  
Silver Plus  
Australia  
Jamaica  
Jamaica Volant  
Palladio

AWNING CORSICA  
Roof bracket



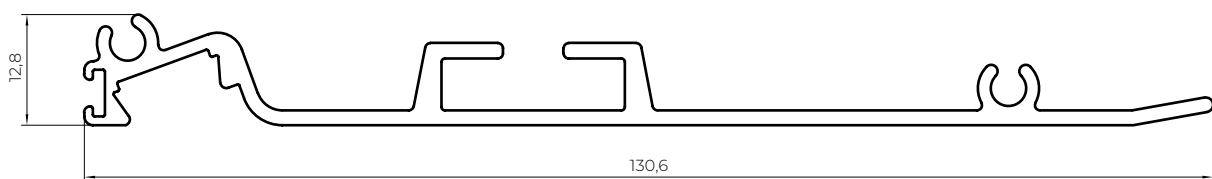
Roof bracket (left)

Roof bracket (right)



Corsica  
Silver Plus  
Australia  
Jamaica  
Jamaica Volant  
Palladio

AWNING CORSICA  
Cross-section of LED cover profile



# AWNING ITALIA HANDRAIL

## AWNING ITALIA HANDRAIL

Italia railing awning is an aesthetic sun protection. It is a practical decoration of balconies, terraces and balcony recesses. The characteristic arms of this awning are mounted to the balcony railing. Their construction allows the setting of an appropriate inclination angle. Hooks are located at the ends and at the base of the arms, to which the front bar with fabric is attached. Proper tension of the awning is achieved by rolling up excess fabric. The lightweight construction of the awning makes installation extremely easy. The use of railing arms provides greater freedom of installation on balconies. The structure is powder coated in white.

### APPLICATION:

Sun protection and shading.

### PRODUCT CHARACTERISTICS:

- Extruded aluminium structure
- Arms designed for mounting on balustrades
- Handles at the ends and bases of the arms provide two options for securing the fabric
- Possibility of setting the appropriate inclination angle, thanks to the arm construction (arm locking)

### TECHNICAL PARAMETERS

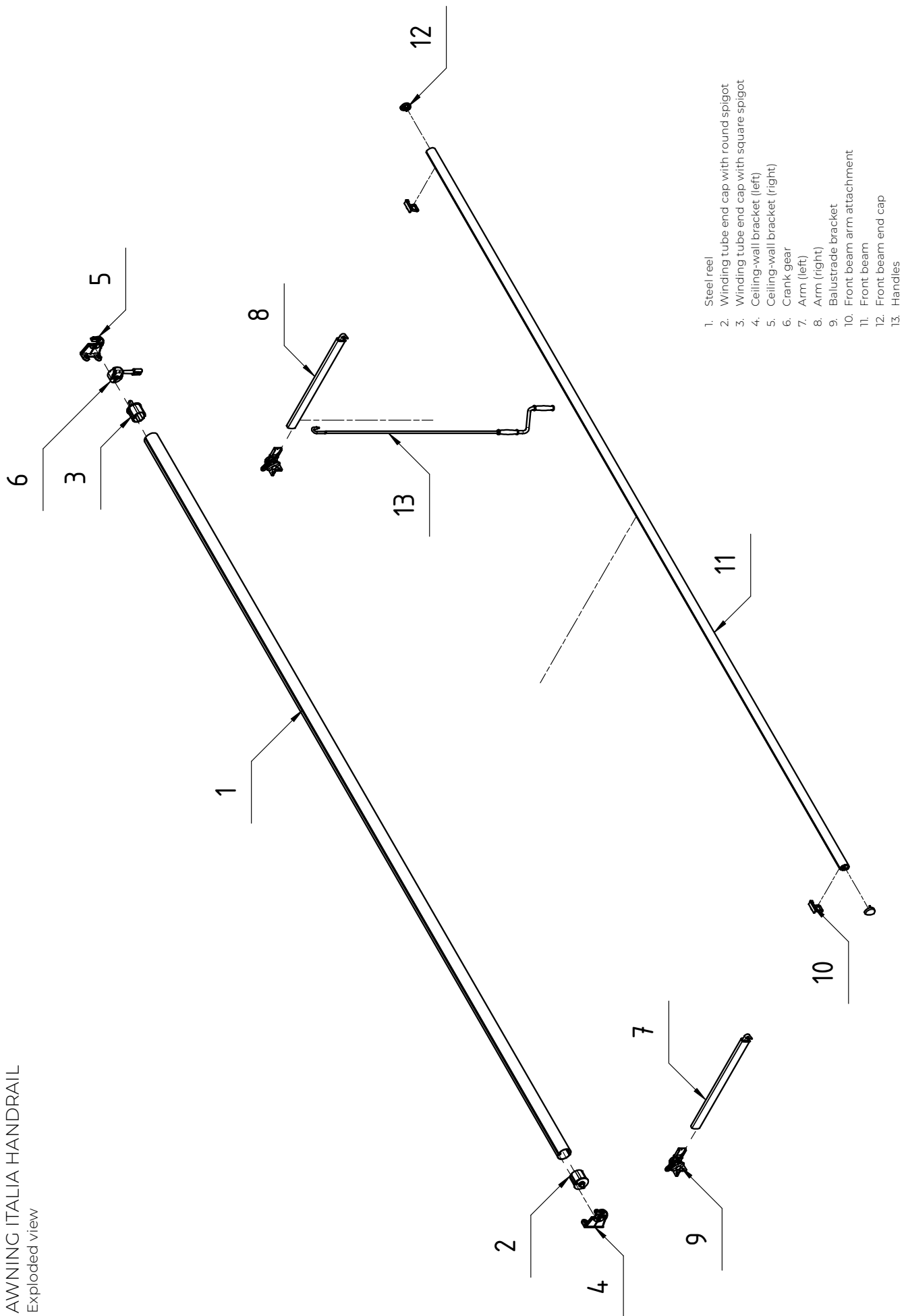
- Colour scheme RAL
- Electric drive NO
- Manual drive YES
- Maximum width 5000 mm
- Maximum projection 700 mm
- Cassette NO
- Canopy option NO
- Tilt angle\* 90°
- Steel reel Ø70
- Sheathing 150 patterns
- Valance YES

\* Maximum tilt angle depends on the mounting position of the arms.

WEIGHT OF THE ITALIA HANDRAIL AWNING (kg)

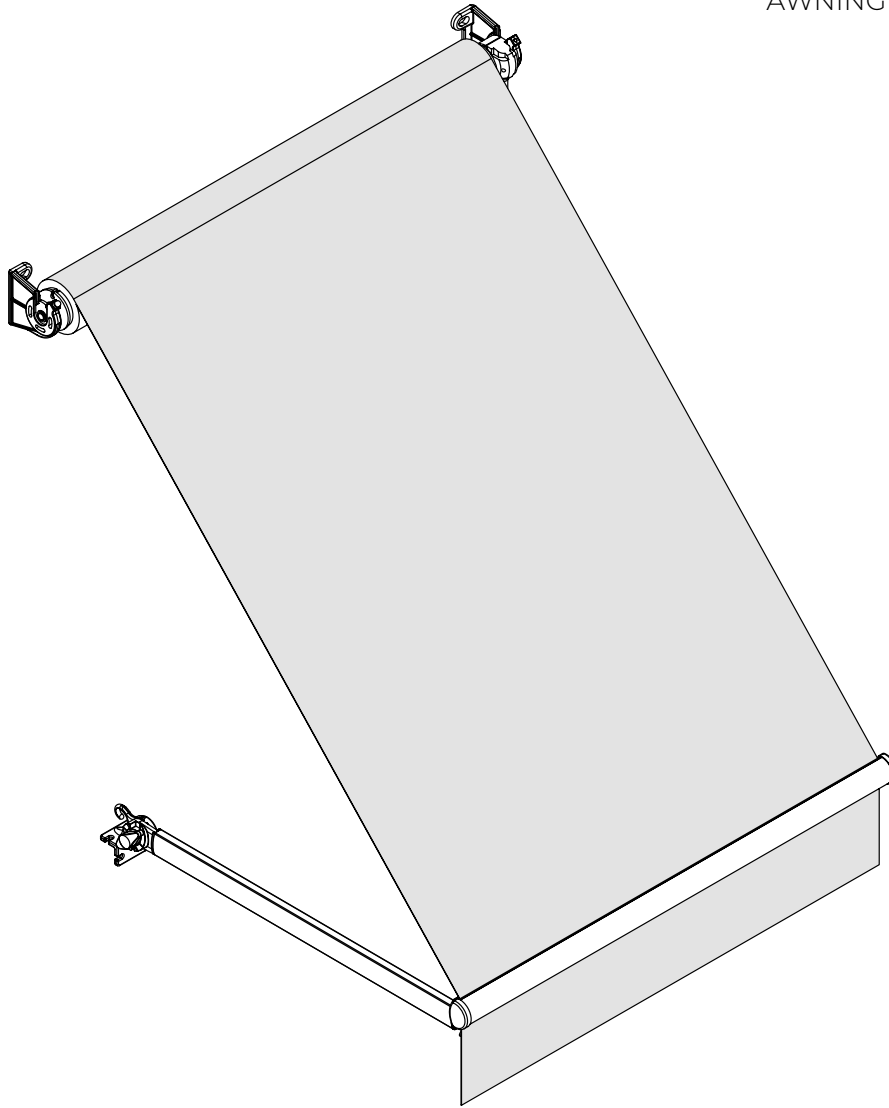
Projection (mm)	Width (mm)							
	0-1100	1101-1700	1701-2300	2301-2900	2901-3500	3501-4100	4101-4700	4701-5000
700	20,5	21,5	22	24	24	27	30	32,5

AWNING ITALIA HANDRAIL  
Exploded view

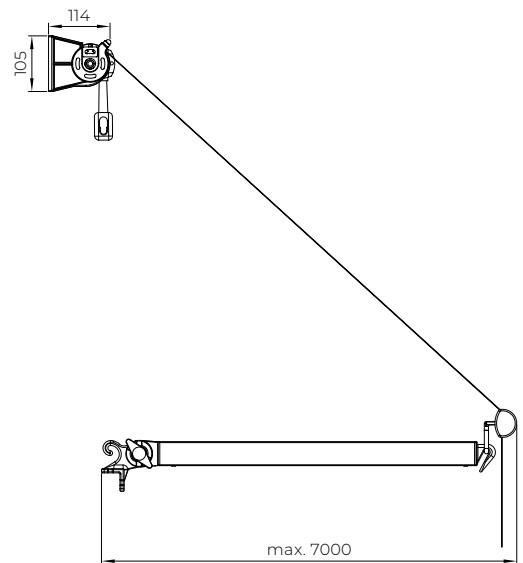
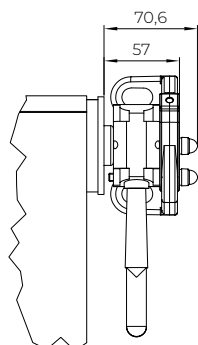
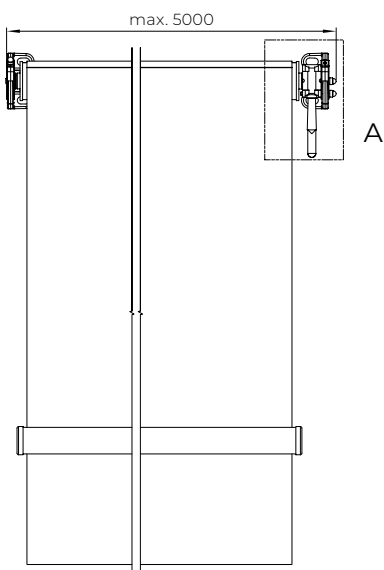


1. Steel reel
2. Winding tube end cap with round spigot
3. Winding tube end cap with square spigot
4. Ceiling-wall bracket (left)
5. Ceiling-wall bracket (right)
6. Crank gear
7. Arm (left)
8. Arm (right)
9. Balustrade bracket
10. Front beam arm attachment
11. Front beam
12. Front beam end cap
13. Handles

AWNING ITALIA HANDRAIL  
Isometric view

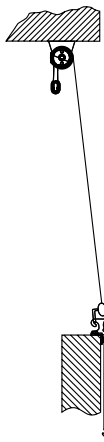


AWNING ITALIA HANDRAIL  
Maximum projection

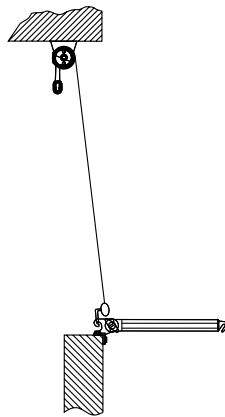


AWNING ITALIA HANDRAIL

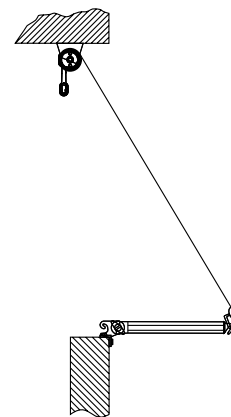
Installation methods



arm hook mounting (arm lowered)



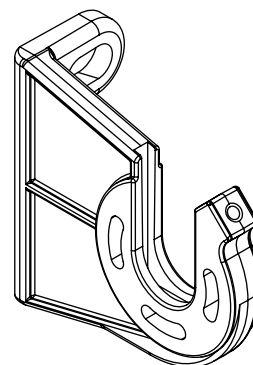
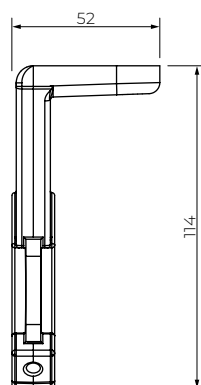
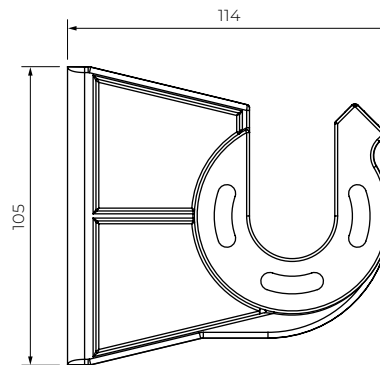
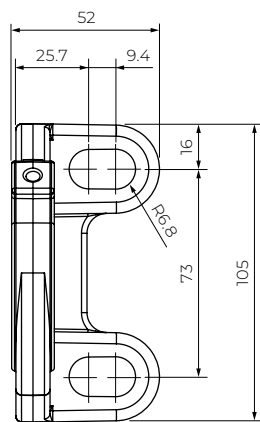
mounting to the arm hook



arm mounting

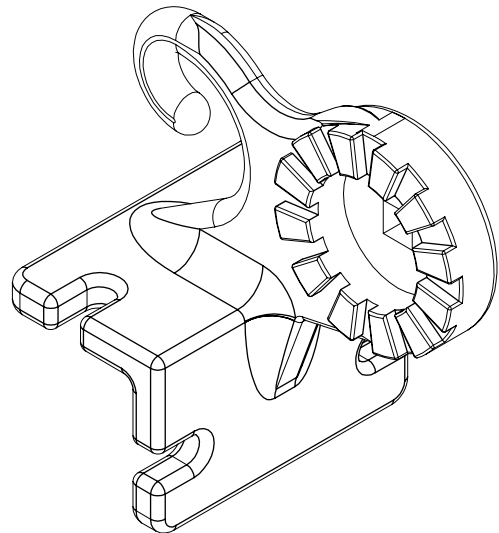
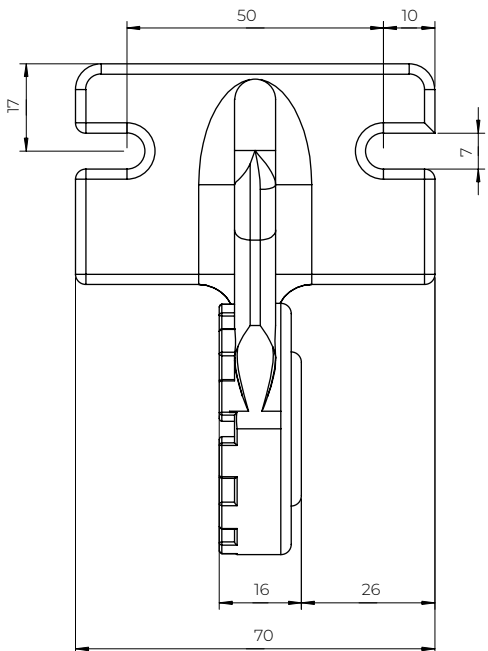
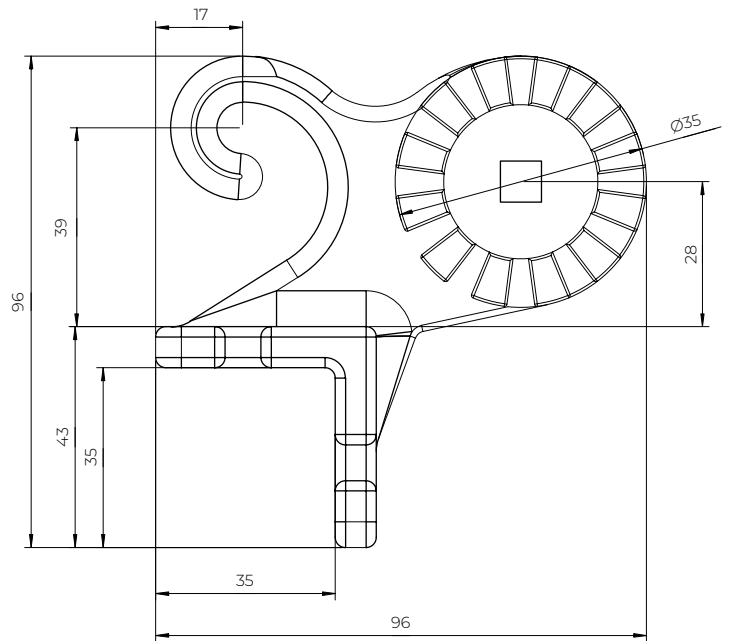
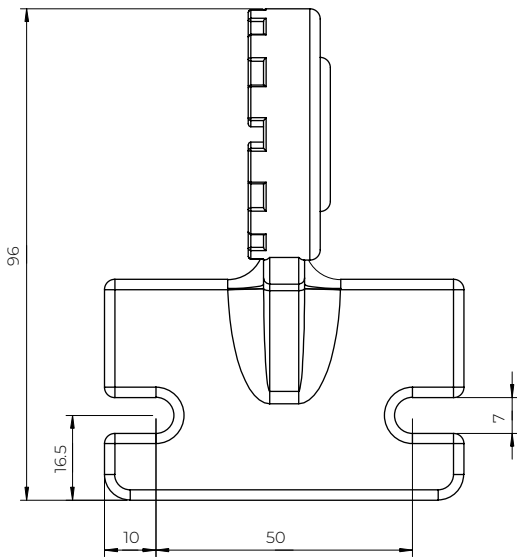
AWNING ITALIA HANDRAIL

Wall-ceiling bracket



Italia handrail  
Italia

AWNING ITALIA HANDRAIL  
Balustrade bracket



# AWNING ITALIA

## AWNING ITALIA

Italia is a window and balcony awning designed to provide shade and cover for window recesses, shop fronts, balconies, terraces and verandas. The drop-down aluminium arms are fitted with a spring that tensions the fabric and prevents the arms from folding under wind pressure. The weight of the awning is distributed across the arm brackets and the roller tube, which is why the Italia can be installed even where the strength of the substrate does not allow for the use of a terrace awning with folding arms. The awning's lightweight construction makes installation extremely easy. The structural components are powder-coated in white.

### APPLICATION:

Sun protection and shading.

### PRODUCT CHARACTERISTICS:

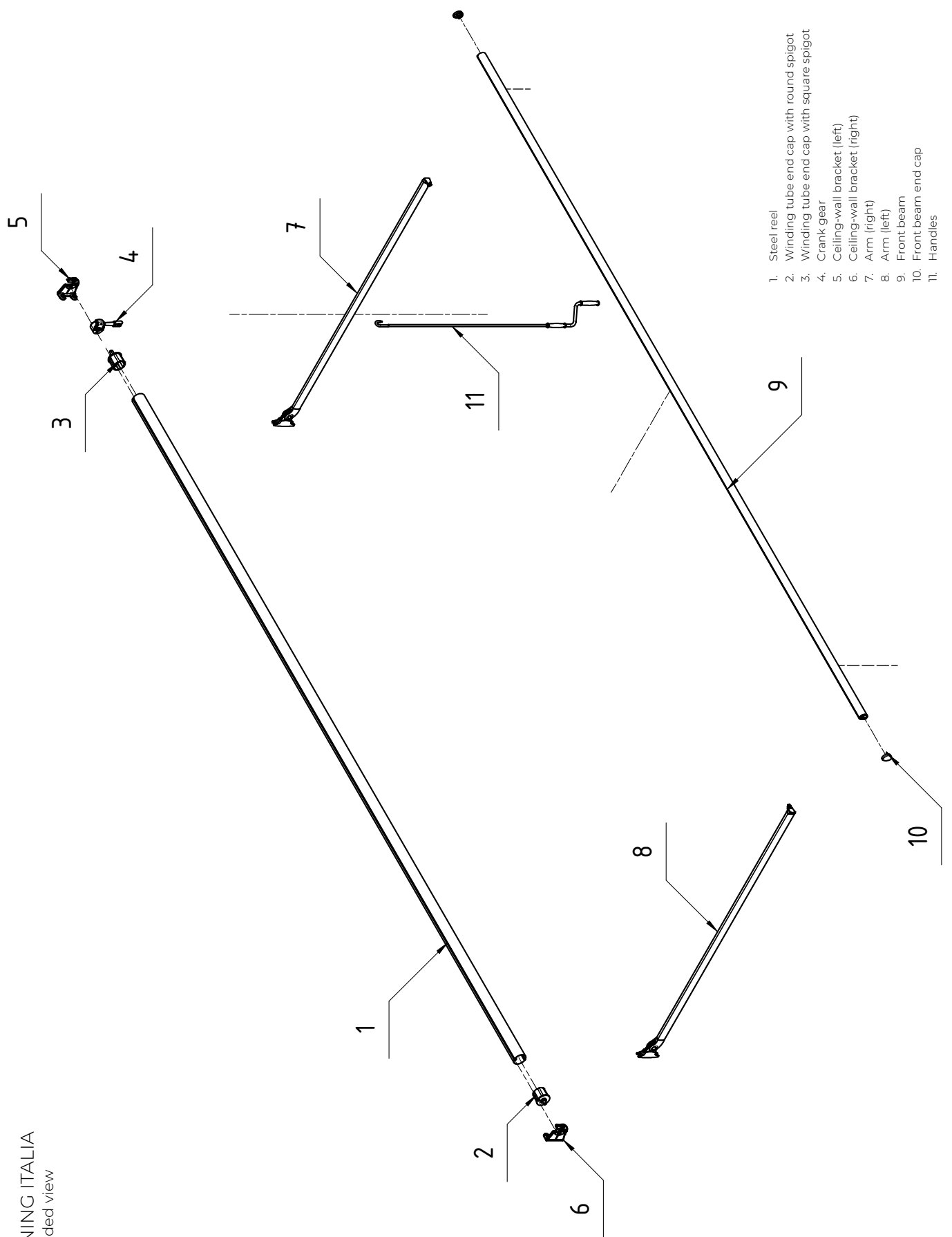
- Extruded aluminium structure
- Brackets at the ends of the roller tube and separately mounted arms make installation much easier
- A spring in the arms tensions the fabric and prevents the arms from folding under wind pressure
- Simple operation using fully automated controls

### TECHNICAL PARAMETERS

- Colour scheme RAL
- Electric drive YES
- Manual drive YES
- Maximum width 5000 mm
- Maximum projection 1800 mm
- Cassette NO
- Canopy option NO
- Tilt angle 90° (160° on request)
- Steel reel Ø70
- Sheathing 150 patterns
- Valance YES

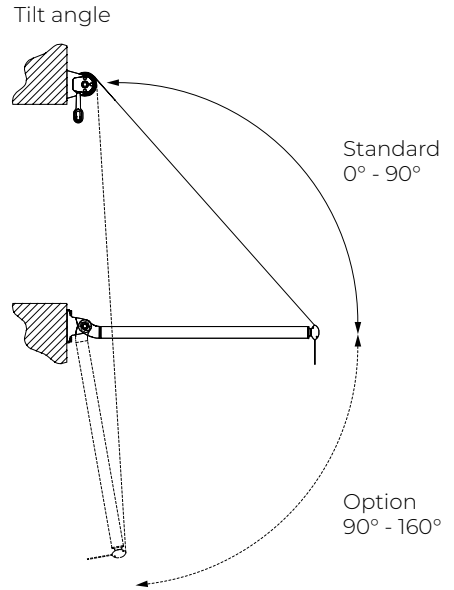
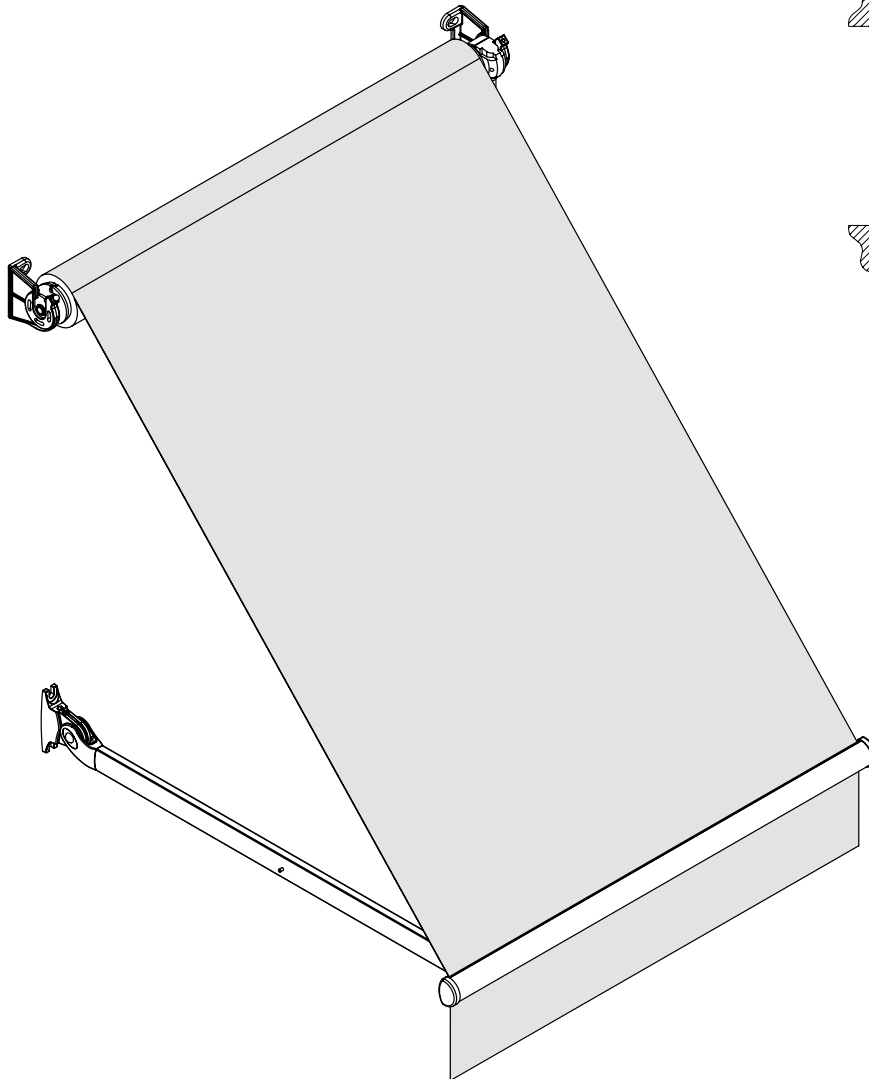
WEIGHT OF THE ITALIA AWNING (kg)								
Projection (mm)	Width (mm)							
	0-1100	1101-1700	1701-2300	2301-2900	2901-3500	3501-4100	4101-4700	4701-5000
700	20	22	21	23	23,5	27,5	29	33,5
1000	20	22	22	23,5	24	27,5	30	34
1400	21	22	22	24	25	28	31	35
1800	21	22	23	25	26	28	33,5	36

AWNING ITALIA  
Exploded view

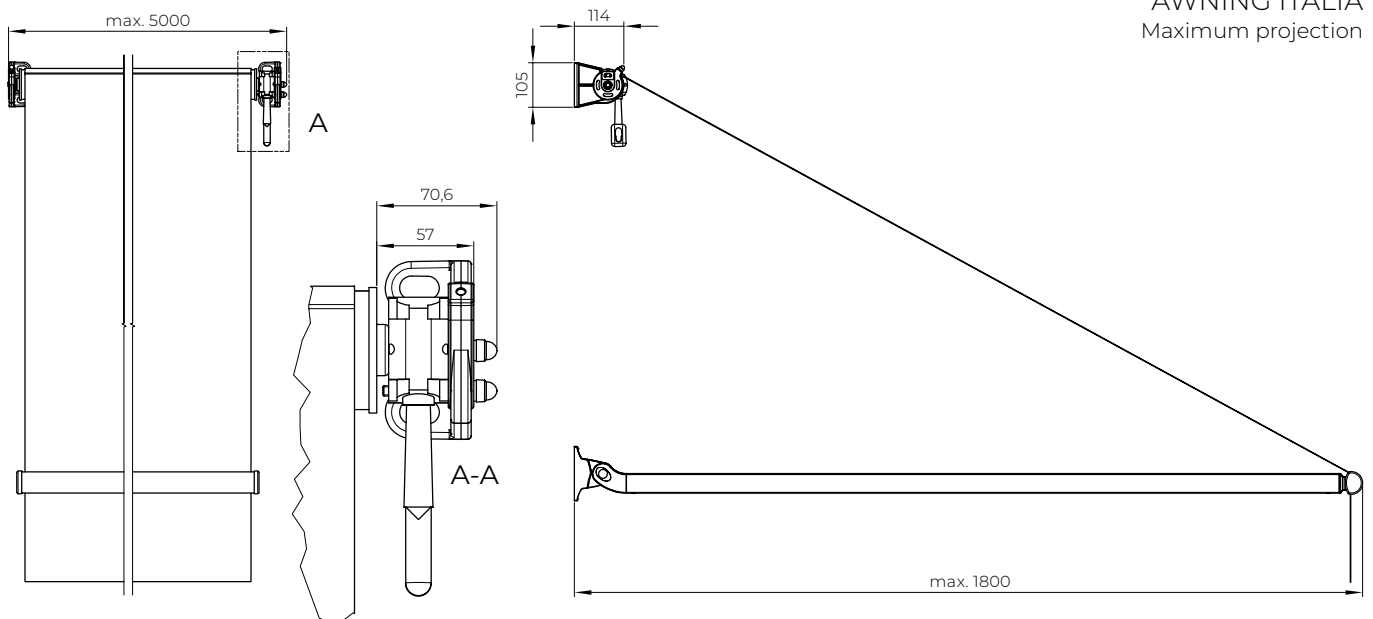


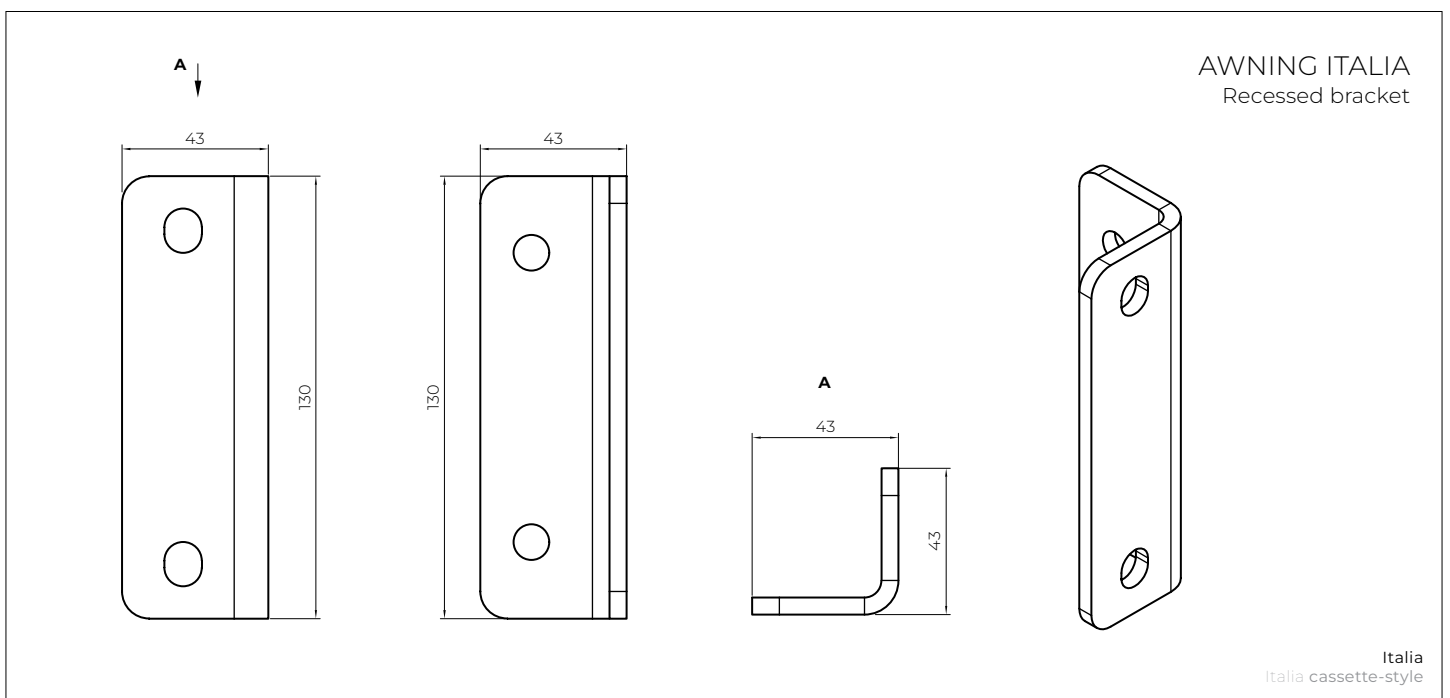
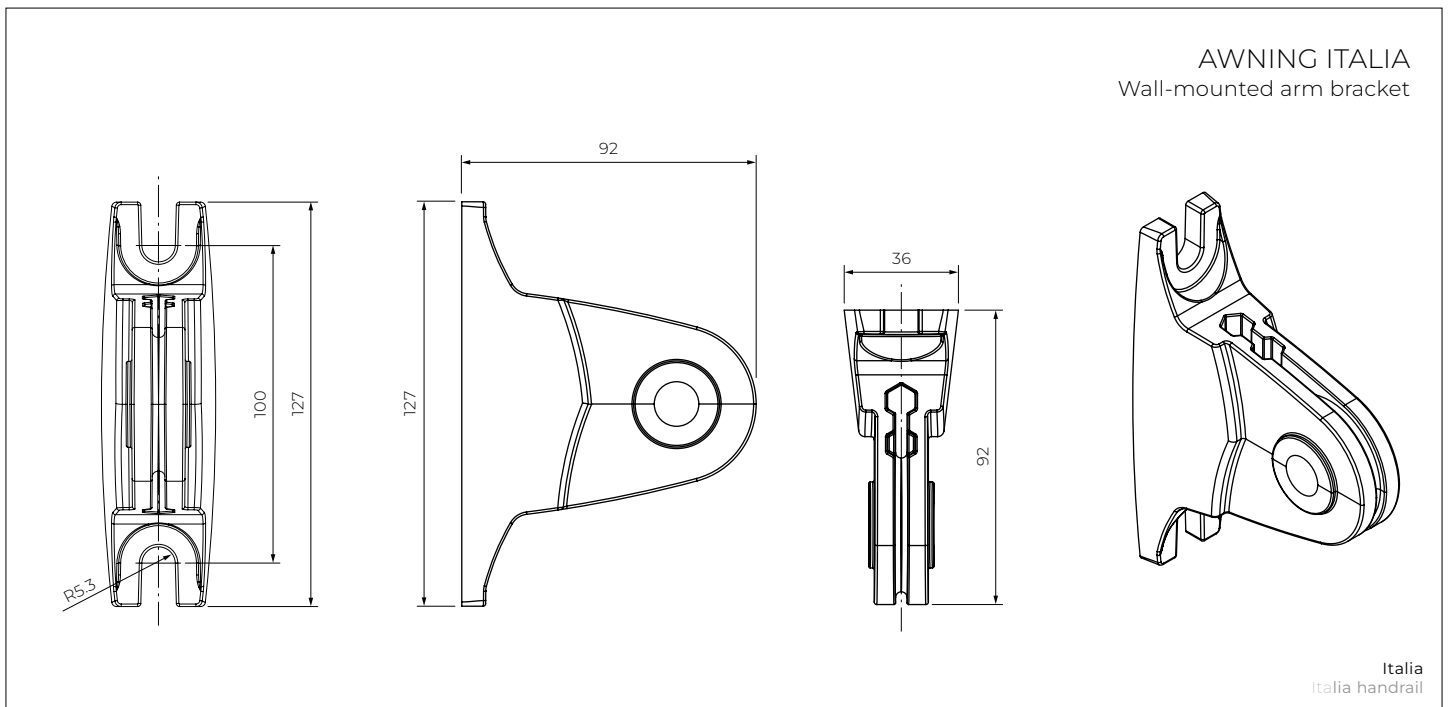
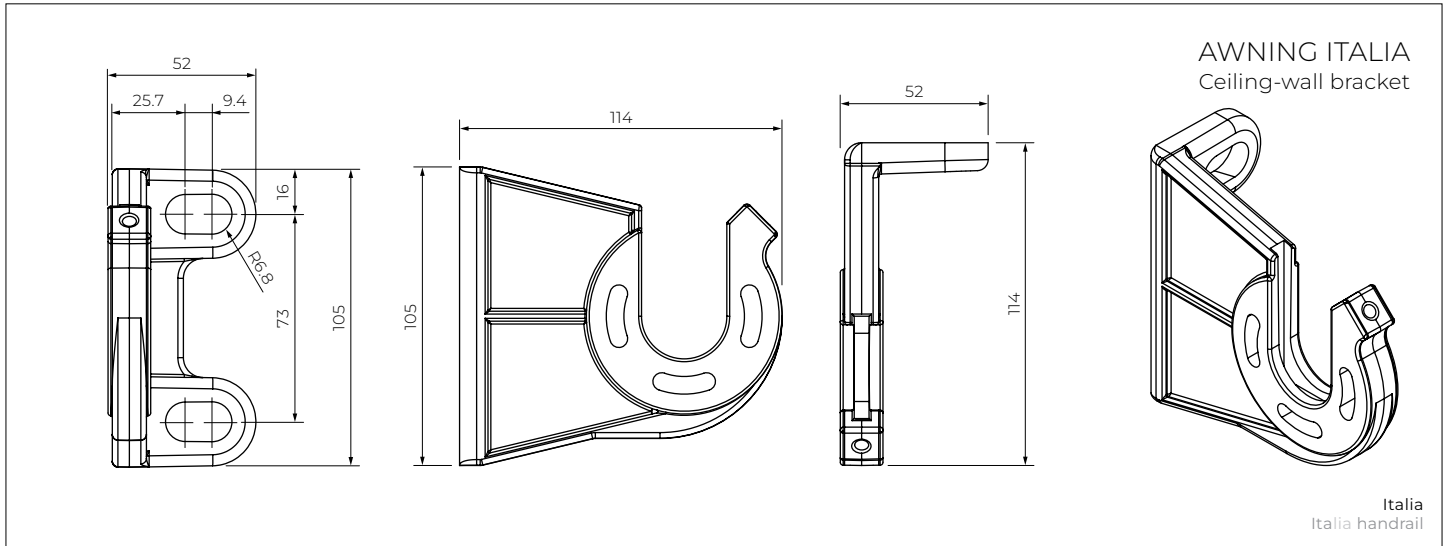
- 1. Steel reel
- 2. Winding tube end cap with round spigot
- 3. Winding tube end cap with square spigot
- 4. Crank gear
- 5. Ceiling-wall bracket (left)
- 6. Ceiling-wall bracket (right)
- 7. Arm (right)
- 8. Arm (left)
- 9. Front beam
- 10. Front beam end cap
- 11. Handles

AWNING ITALIA  
Isometric view

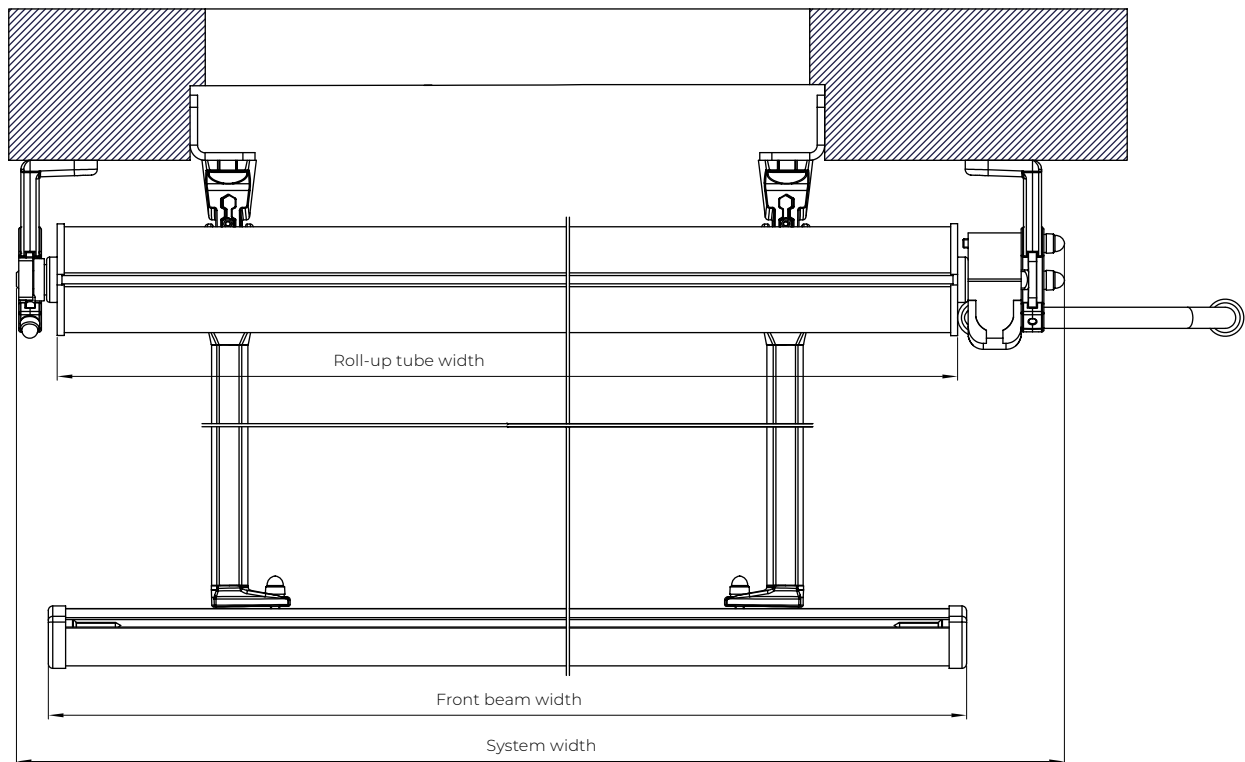


AWNING ITALIA  
Maximum projection



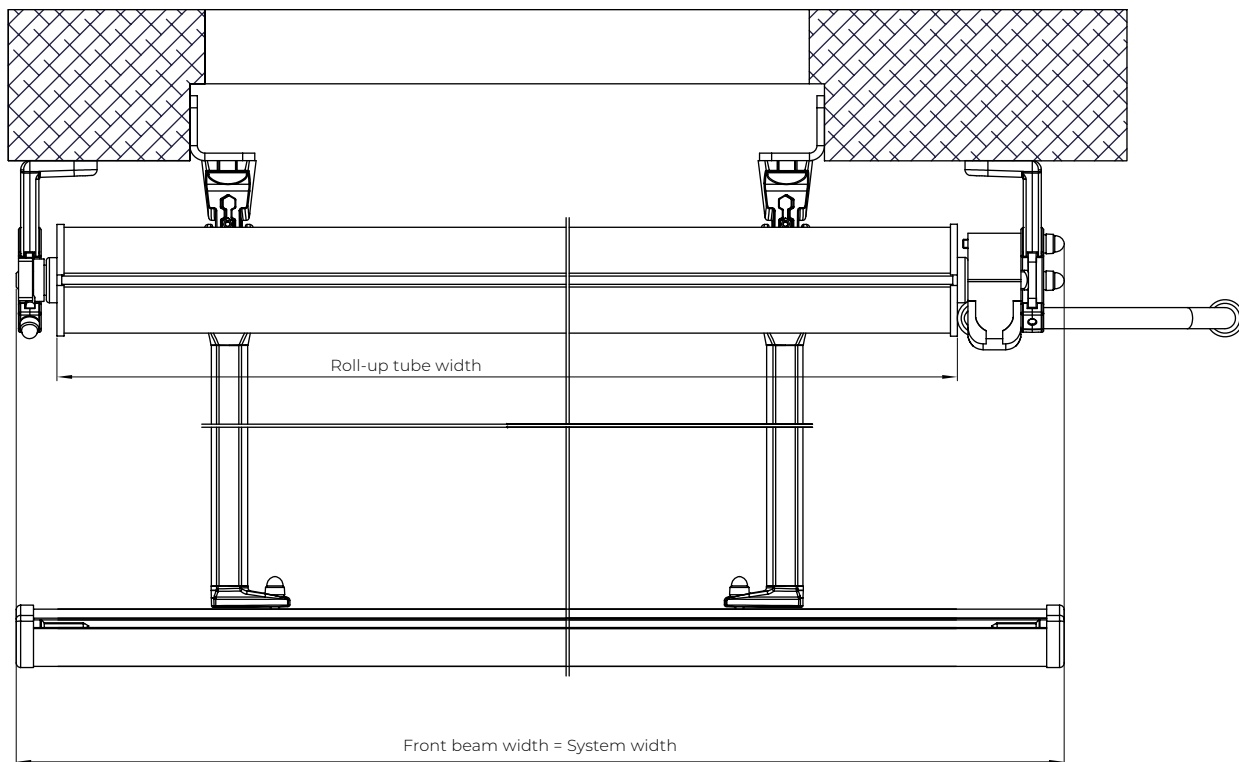


AWNING ITALIA  
Recessed installation



AWNING ITALIA  
Recessed installation with longer front rail

**Note**  
Option to order a longer front beam, up to 200 mm wider than the system width, but not exceeding 5000 mm



# ITALIA CASSETTE AWNING

## ITALIA CASSETTE AWNING

Italia Cassette is a window and balcony awning designed to provide shade and cover for window recesses, shop windows, balconies, terraces and verandas. The aluminium cassette covers the fabric and protects it from adverse weather conditions. The retractable aluminium arms are fitted with a spring that tensions the fabric and prevents the arms from folding under wind pressure. The weight of the awning is distributed across the arm brackets and the roller tube, which is why the Italia cassette awning can be installed even where the strength of the substrate does not allow for the use of a terrace awning with folding arms. The awning's lightweight construction makes installation extremely easy. The structure is powder-coated in white.

### APPLICATION:

Sun protection and shading.

### PRODUCT CHARACTERISTICS:

- Extruded aluminium structure
- The cassette protects the fabric from the elements
- Brackets and separately mounted arms make installation much easier
- A spring in the arms tensions the fabric and prevents the arms from folding under wind pressure
- Simple operation using fully automated controls

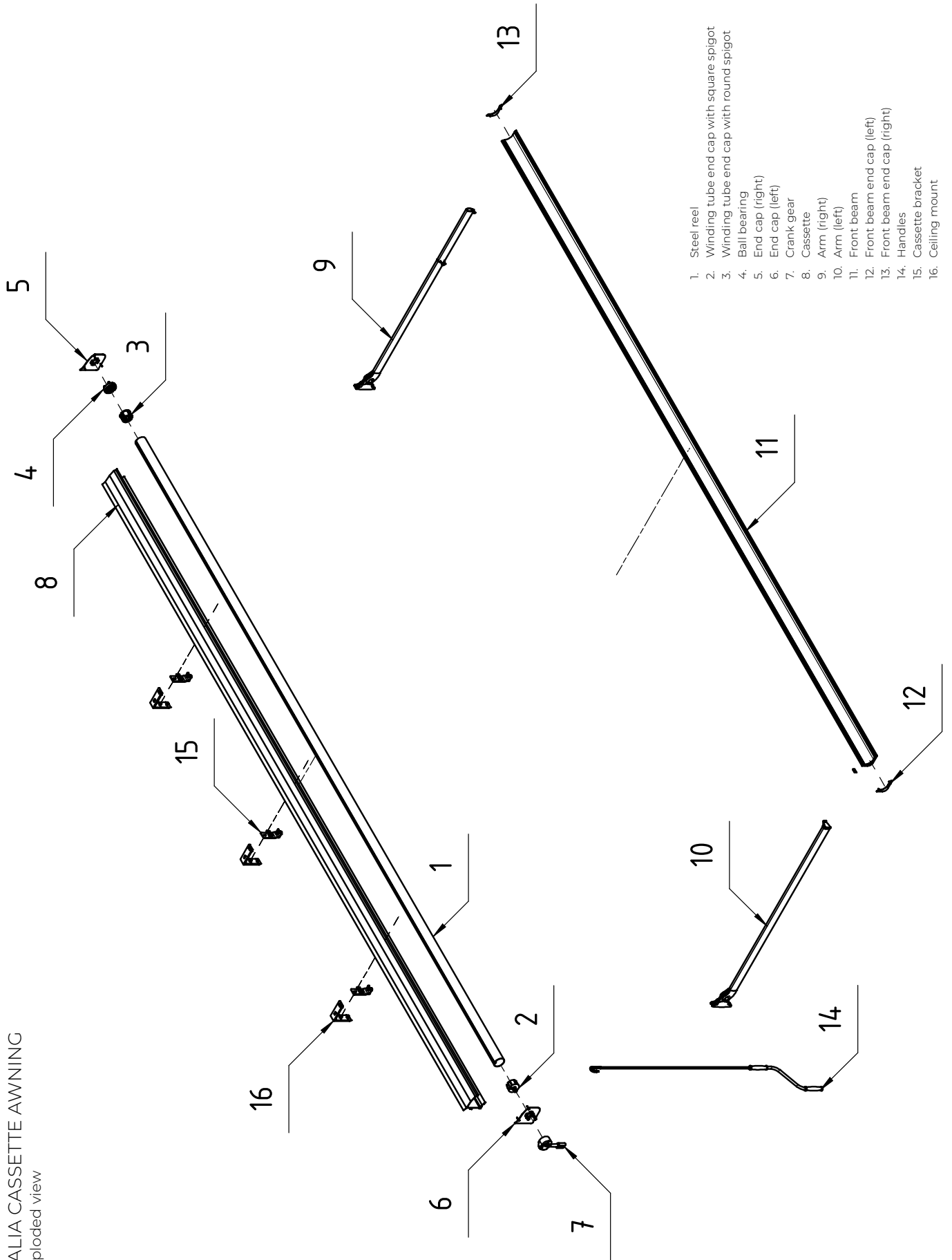
### TECHNICAL PARAMETERS

- Colour scheme RAL
- Electric drive YES
- Manual drive YES
- Maximum width 5000 mm
- Maximum projection 1400 mm
- Cassette YES
- Tilt angle 90° (140° on request)
- Steel reel Ø63
- Sheathing 150 patterns
- Valance YES

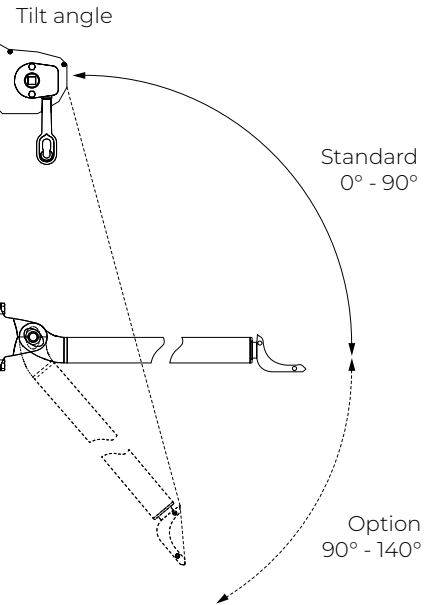
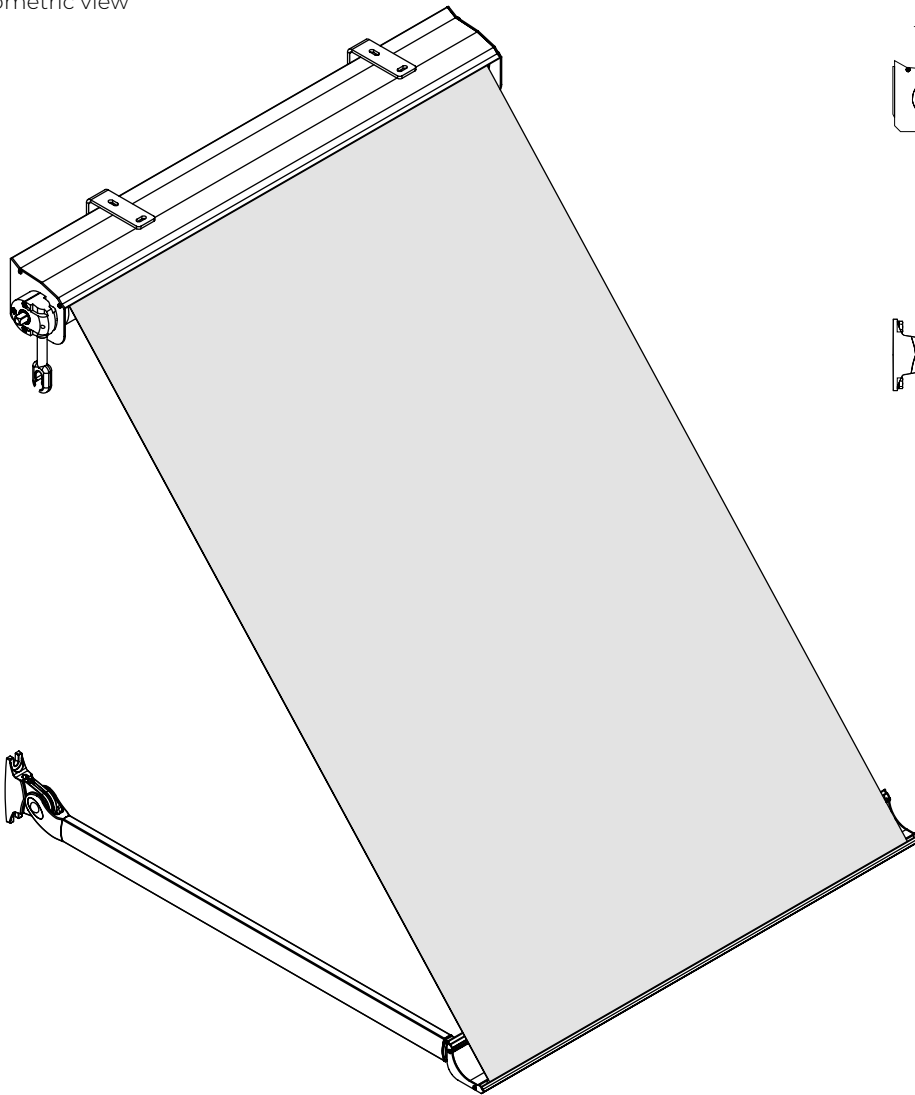
WEIGHT OF THE ITALIA CASSETTE AWNING (kg)

Projection (mm)	Width (mm)							
	0-1100	1101-1700	1701-2300	2301-2900	2901-3500	3501-4100	4101-4700	4701-5000
700	23	24	25,5	28	32	32,5	33	39
1000	23	24	25,5	28	32	32,5	36	39,5
1400	23	24	25,5	28	32	34	36,5	41

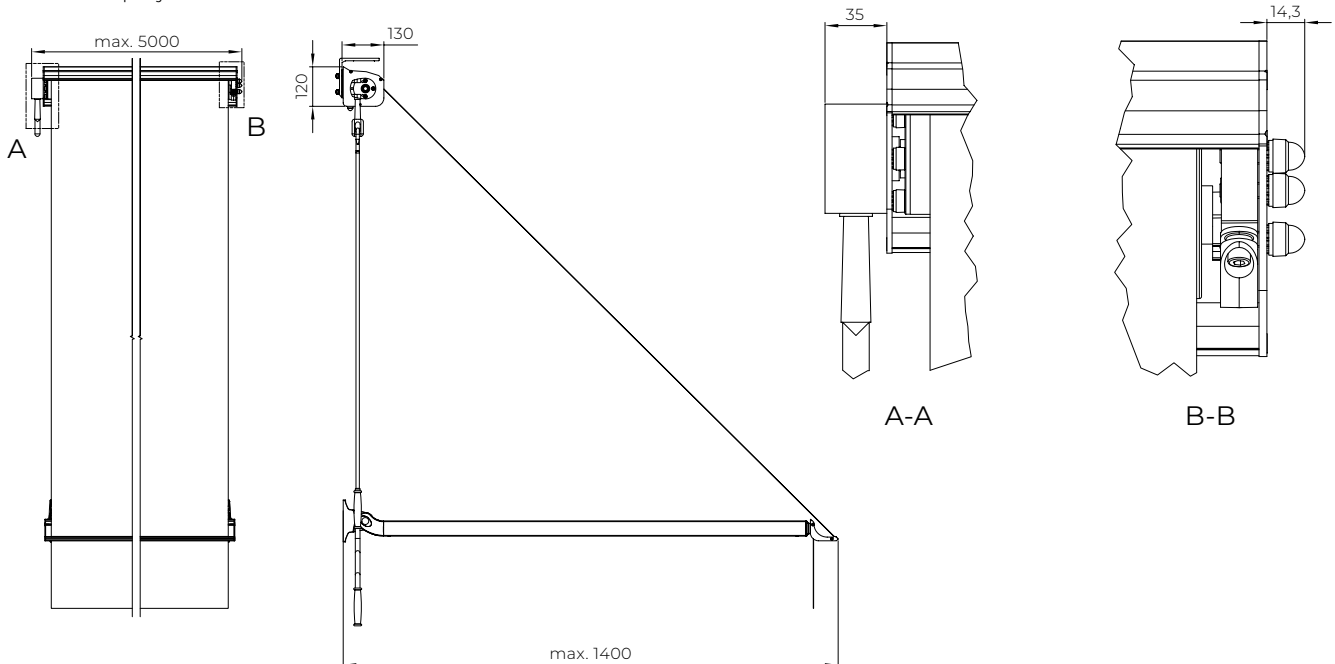
ITALIA CASSETTE AWNING  
Exploded view



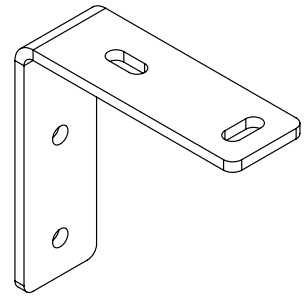
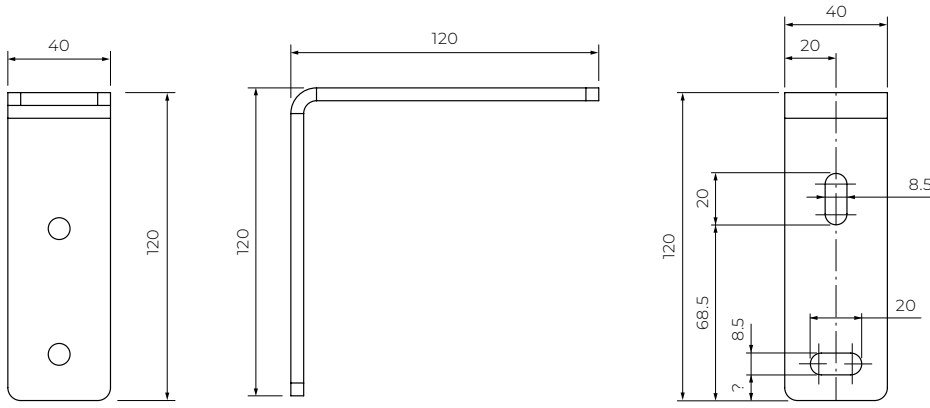
ITALIA CASSETTE AWNING  
Isometric view



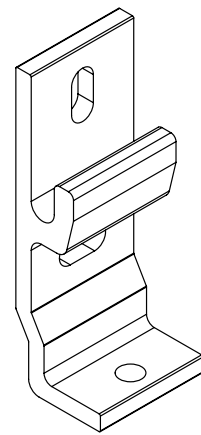
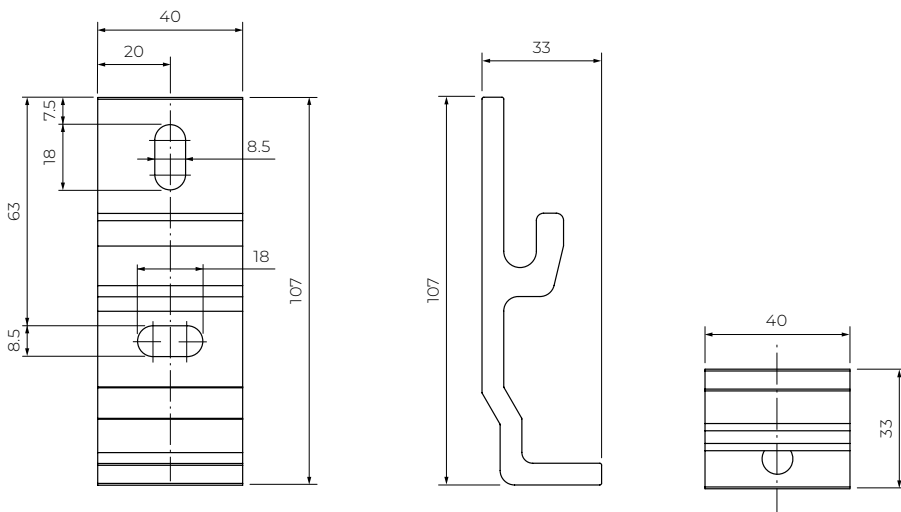
ITALIA CASSETTE AWNING  
Maximum projection



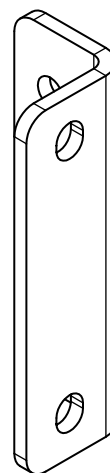
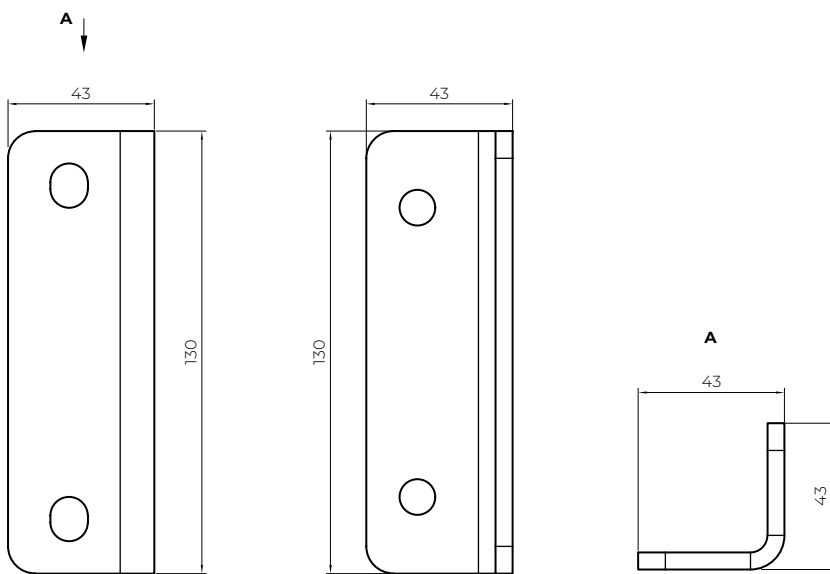
ITALIA CASSETTE AWNING  
Ceiling mount



ITALIA CASSETTE AWNING  
Wall bracket

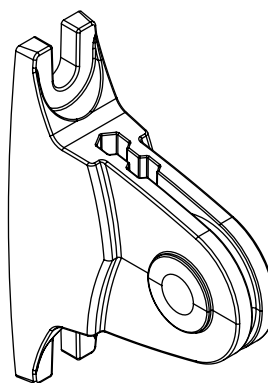
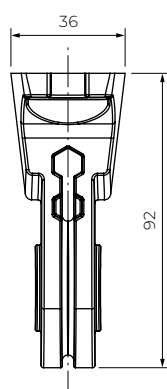
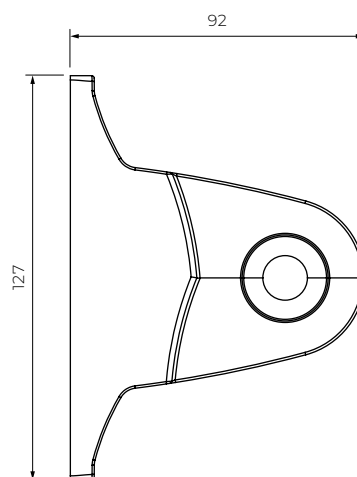
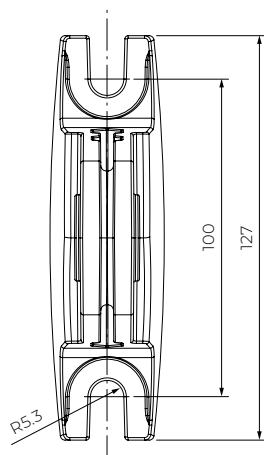


ITALIA CASSETTE AWNING  
Recessed bracket



Italia cassette-style  
Italia

ITALIA CASSETTE AWNING  
Wall-mounted arm bracket



Italia cassette-style  
Italia

# AWNING BORA

## AWNING BORA

Bora is a side awning designed for installation on balconies, terraces or as an additional cover for terrace awnings and pergolas. It is used to provide protection from sunlight and gusts of wind, as well as to ensure privacy for users. Our company offers a wide range of fabric designs that will create a unique atmosphere around the entire shaded area. Bora is the ideal solution for restaurant owners and for residents of housing estates and detached houses. The awning frame is powder-coated in white, beige, brown, anthracite or silver.

### APPLICATION:

Sun protection and shading.

### PRODUCT CHARACTERISTICS:

- Extruded aluminium structure
- The cassette protects the fabric from the elements
- Three versions of awning pole mounting:  
Version 1: to hard ground  
Version 2: to compacted ground  
Version 3: to a wall

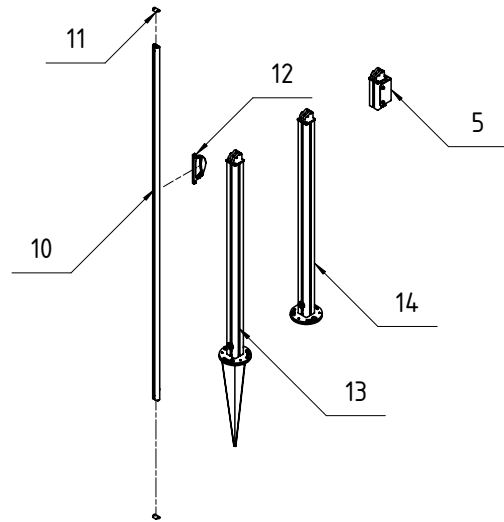
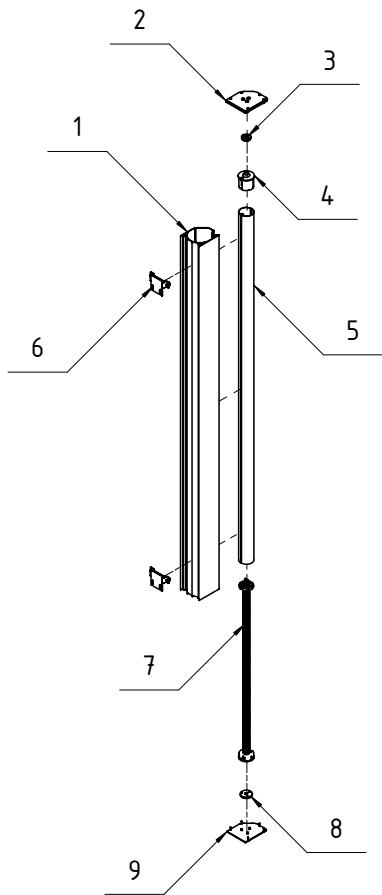
### TECHNICAL PARAMETERS

- Colour scheme RAL
- Electric drive NO
- Manual drive YES
- Maximum width 2.0 m
- Minimum height 1100 mm
- Maximum projection 4000 mm
- Cassette YES
- Steel reel Ø70
- Sheathing 150 patterns

WEIGHT OF THE BORA AWNING (kg)

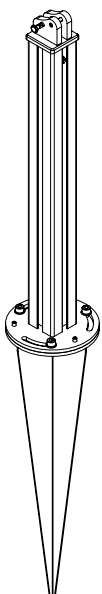
Projection (mm)	Width (mm)					
	1100-1200	1201-1800	1801-2400	2401-3000	3001-3600	3601-4000
1100	19	23	23	23,5	24	24,5
1300	22	23,5	23,5	24	24,5	25
1500	23	26	26	26	28	28
1800	25	27	27,5	29	30	30,5
2000	28	28,5	28,5	29,5	30,5	31

AWNING SIDE BORA  
Exploded view

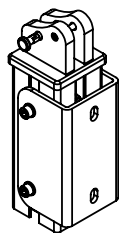


1. Cassette
2. Top cassette cover
3. Top cover sleeve
4. Dome with cylindrical spindle
5. Steel reel
6. Lower bracket
7. Tensioning assembly
8. Mechanism drive
9. Bottom cover of the cassette
10. Front beam
11. Front beam end cap
12. Handle
13. Fixed bracket + Pal
14. Fixed bracket
15. Wall bracket

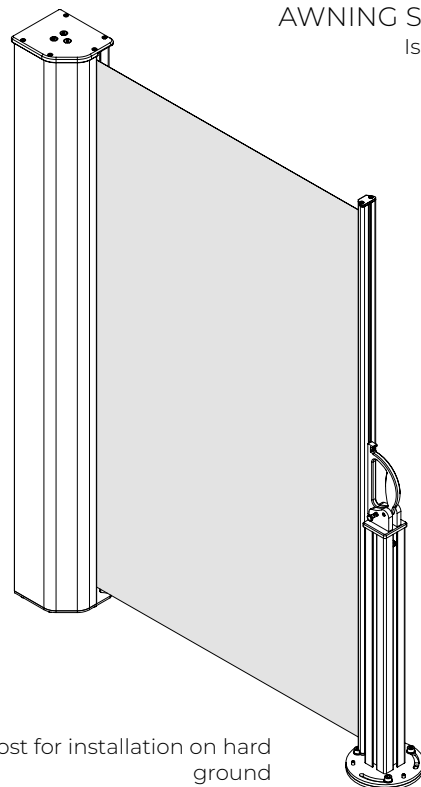
AWNING SIDE BORA  
Isometric view



front post for installation on soft ground



Wall-mounted bracket



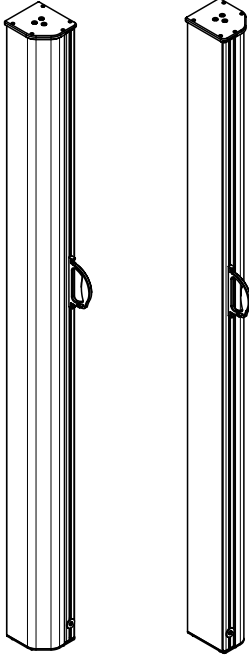
front post for installation on hard ground

AWNING SIDE BORA

Left side, Right side

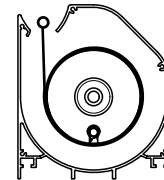
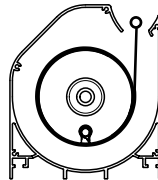
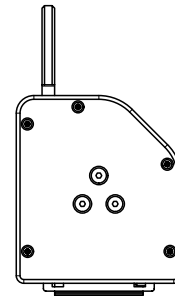
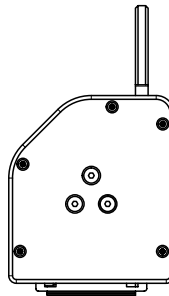
right

left

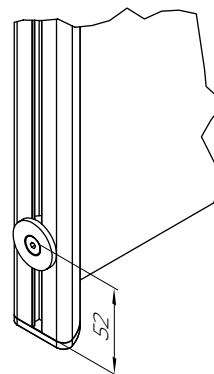
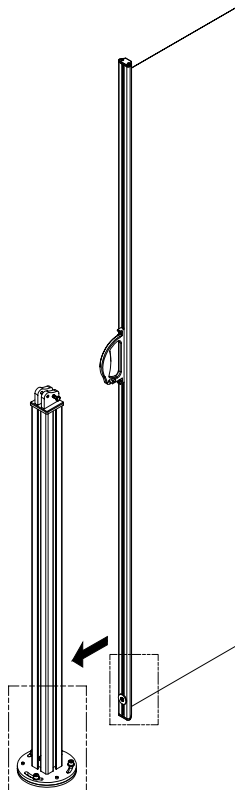
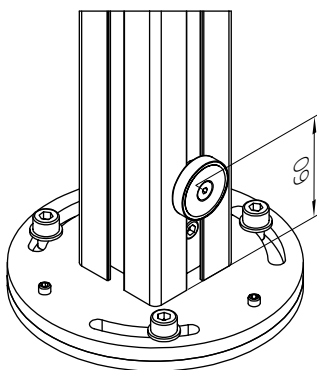


left

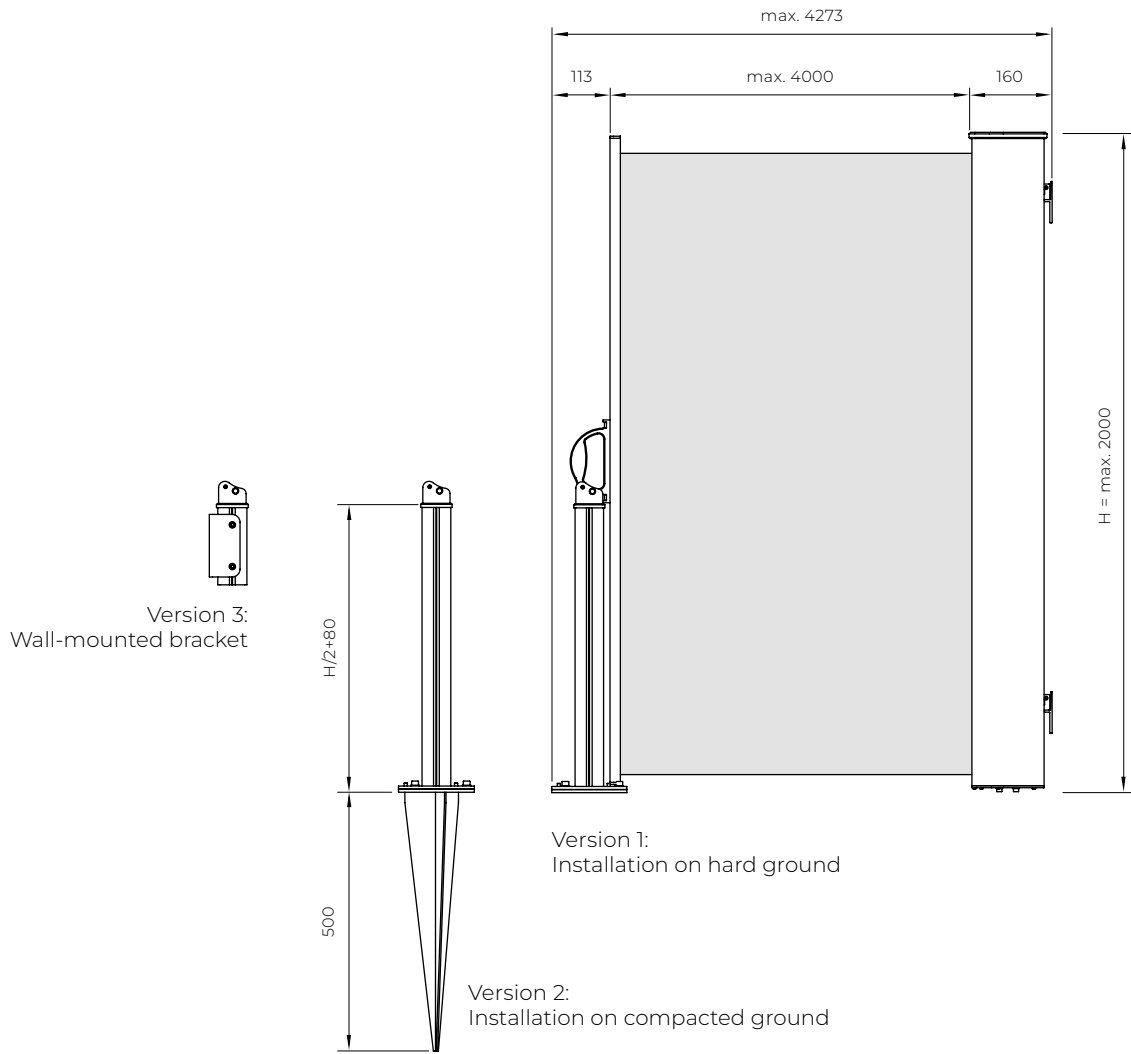
right



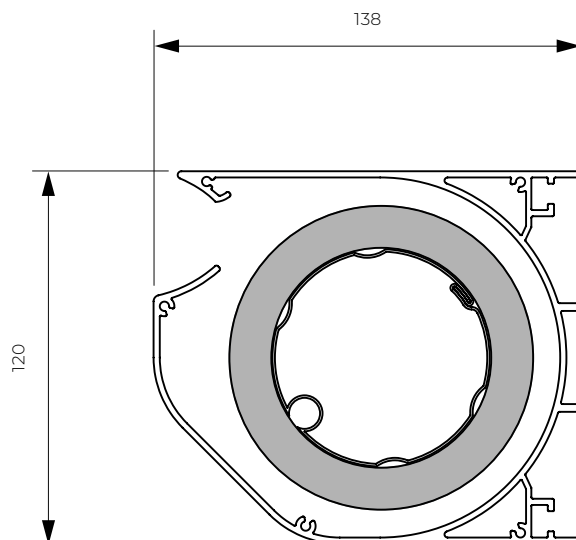
AWNING SIDE BORA  
The lower part of the front beam is designed to align with a magnet in the post



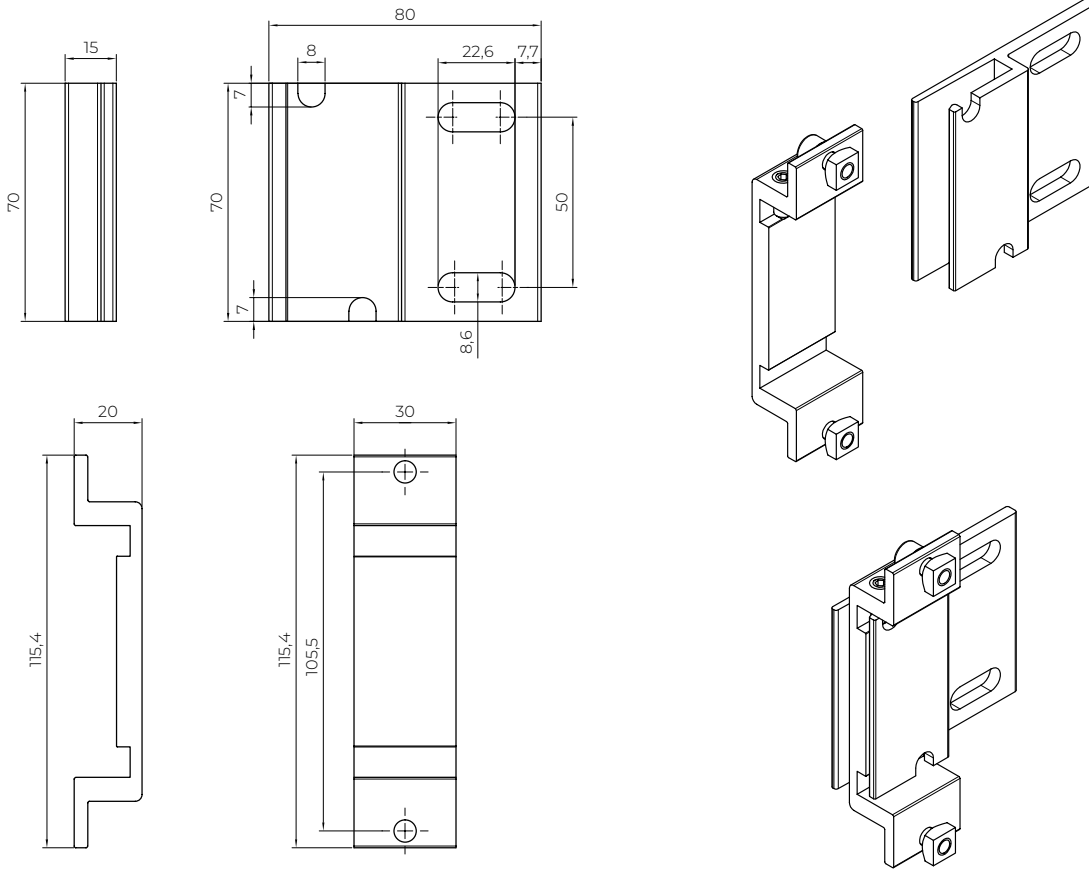
AWNING SIDE BORA  
Maximum projection



AWNING SIDE BORA  
Cross-section of the cassette

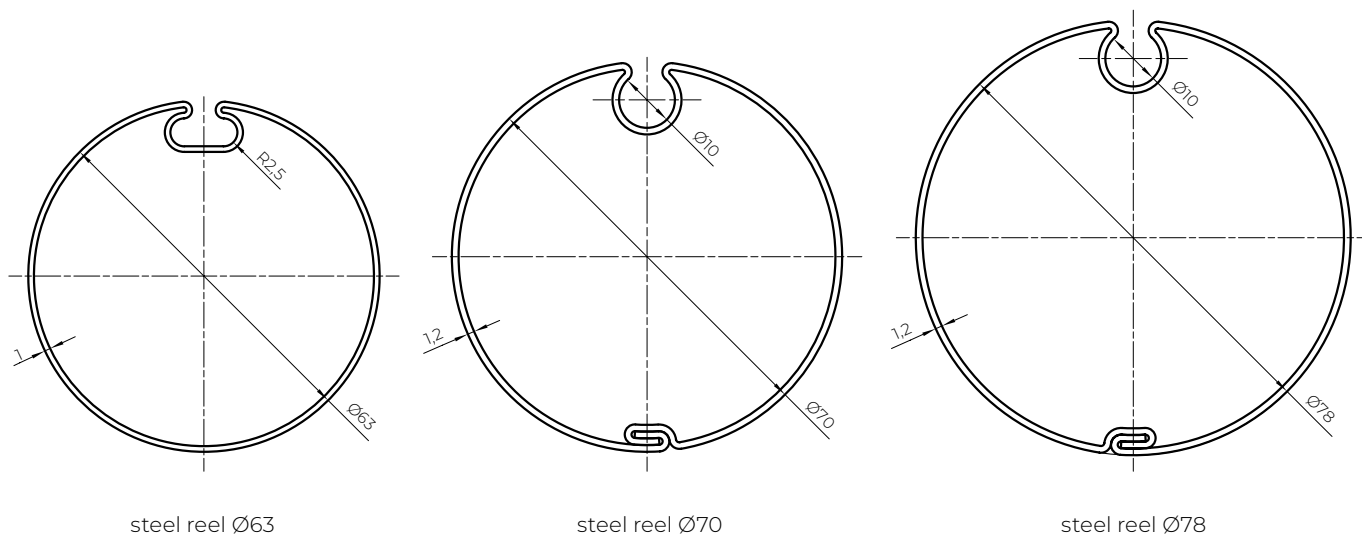


AWNING SIDE BORA  
Wall-mounted bracket

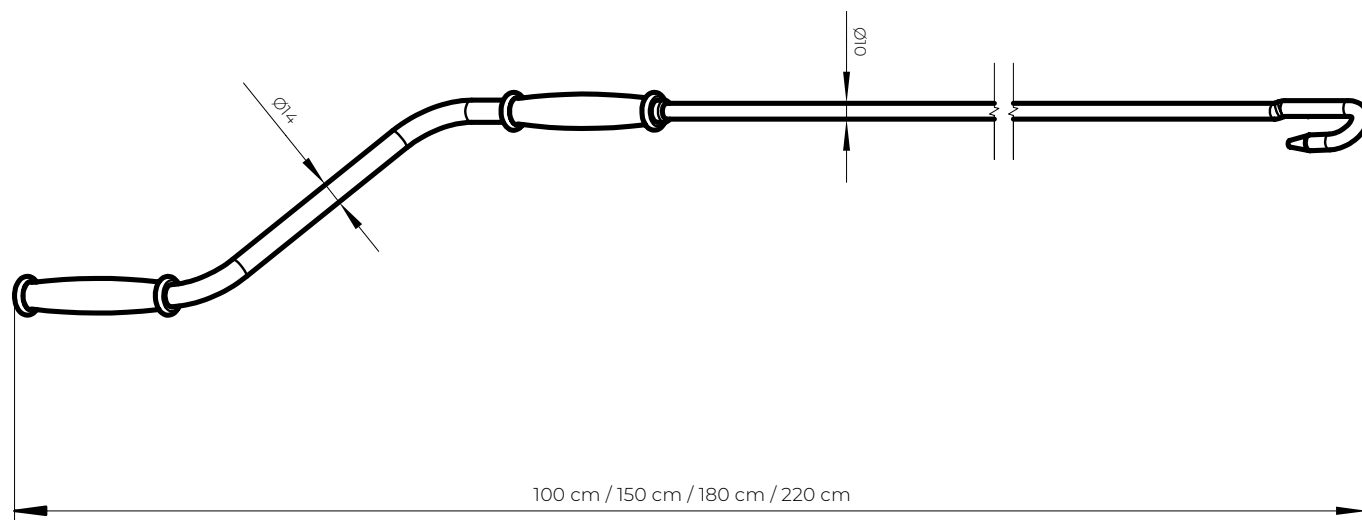


# ADDITIONAL INFORMATION

## Awning winding tubes



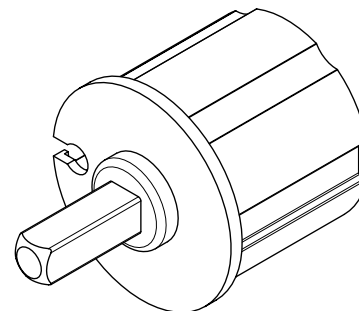
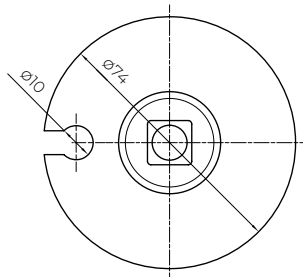
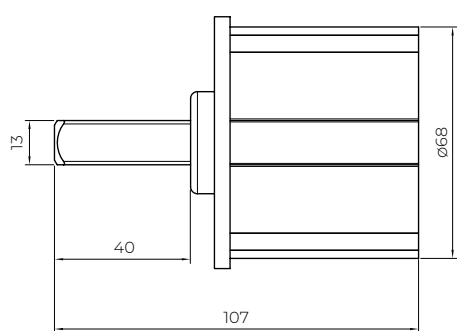
## Awning crank



Ø70 pipe end cap with 13x13x40 square spigot

**Note**

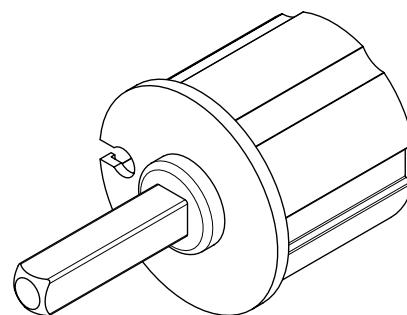
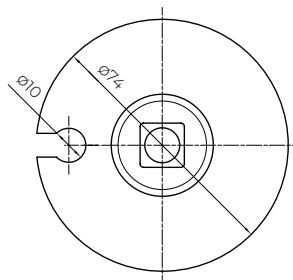
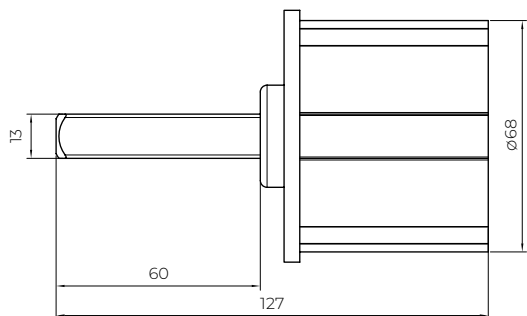
Available in the following models: Palladio, Italia, Italia Handrail



Pipe end cap Ø70 with round spigot

**Note**

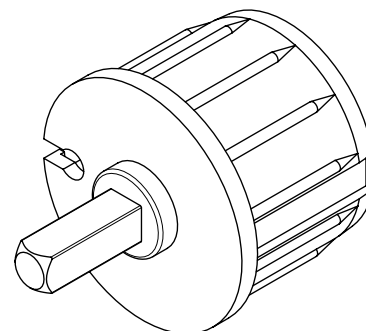
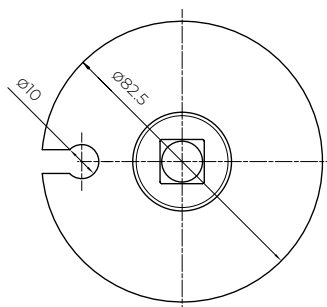
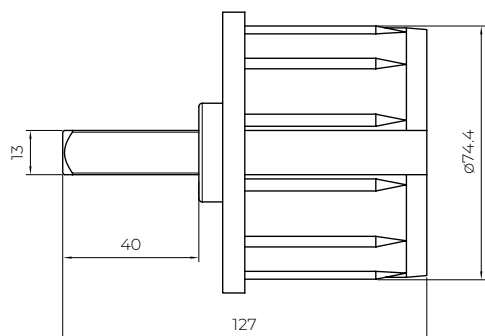
Available in the following models: Malta, Silver Plus, Australia, Jamaica, Jamaica Volant, Palladio, Italia Handrail, Italia, Italia Cassette, Bora



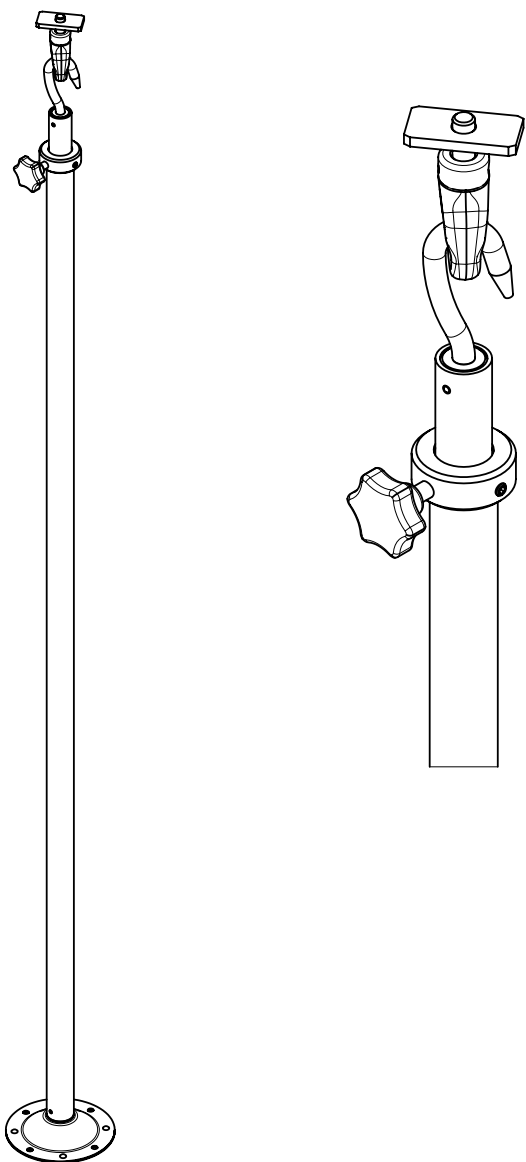
Ø70 pipe end cap with hole

**Note**

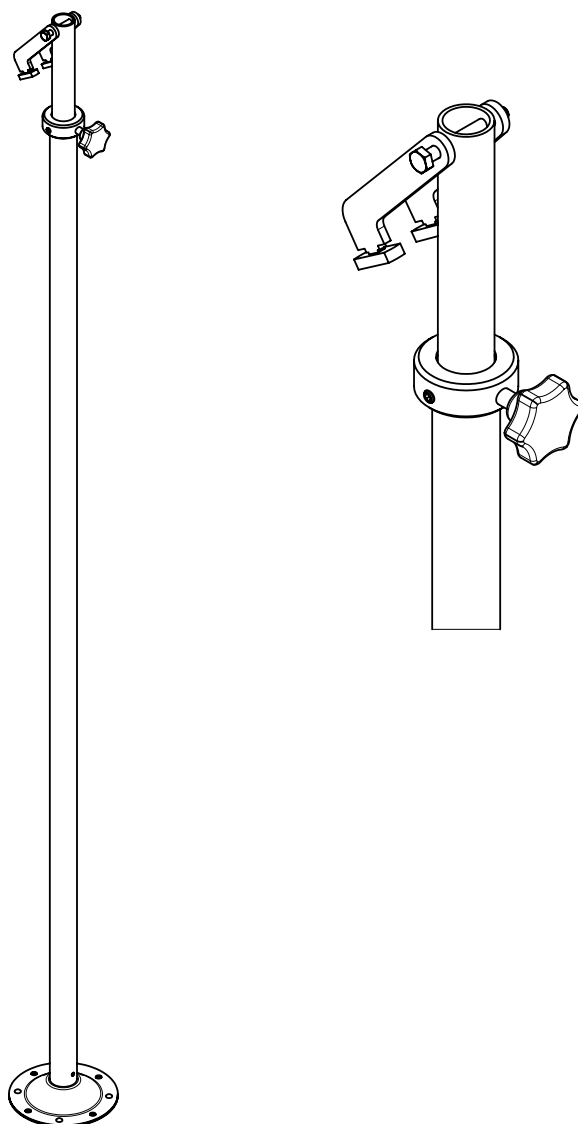
Available in the following models: Malta, Silver Plus, Australia, Jamaica, Jamaica Volant, Palladio, Corsica, Italia Handrail, Italia, Italia Cassette, Bora



Support Plus



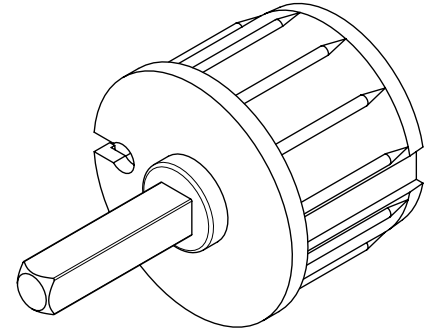
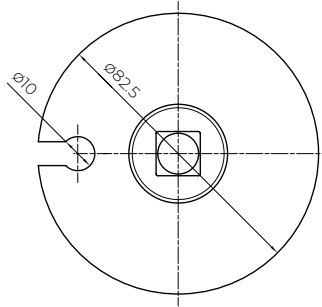
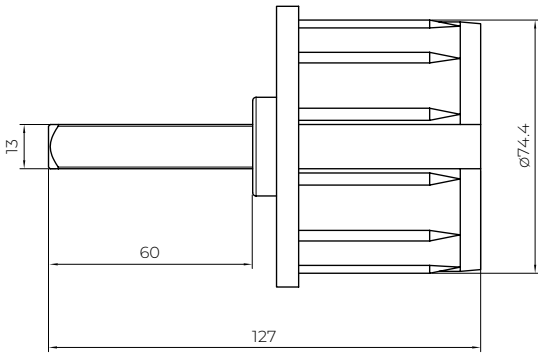
Standard support



Pipe cap Ø78 with square spigot 13x13x60

Note

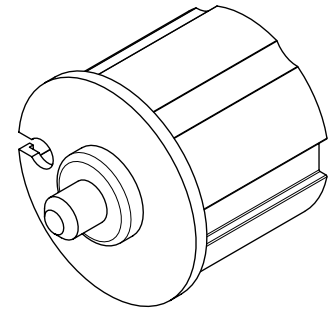
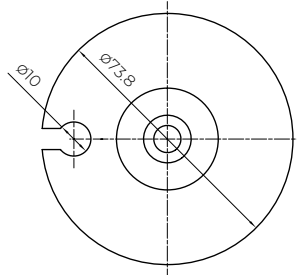
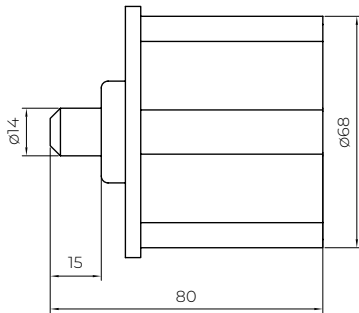
Available in the following models: Malta, Silver Plus, Australia, Jamaica, Jamaica Volant



Pipe cap Ø70 with round pin Ø14x15

Note

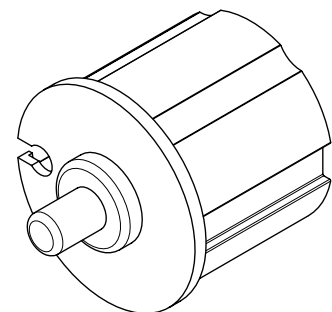
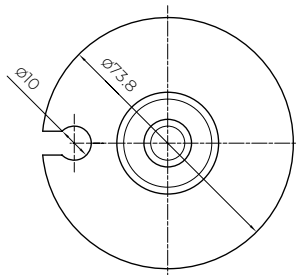
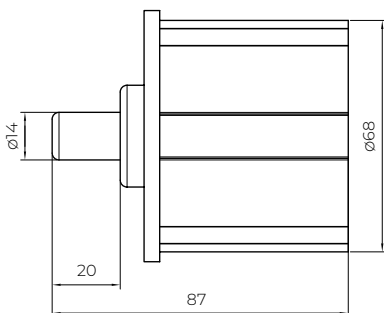
Available on the Bora model



Pipe cap Ø78 with hole

Note

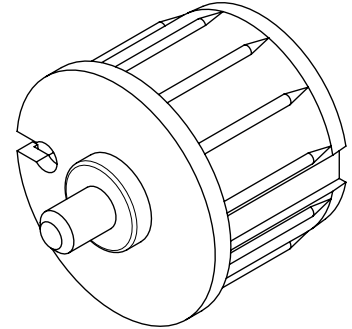
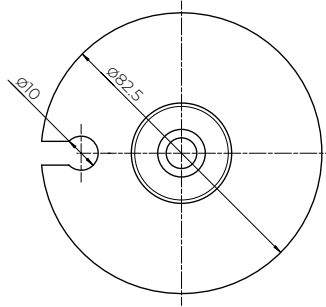
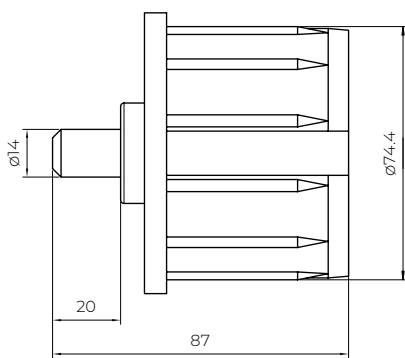
Available on the Corsica model



Pipe end cap Ø78 with round spigot Ø14x20

**Note**

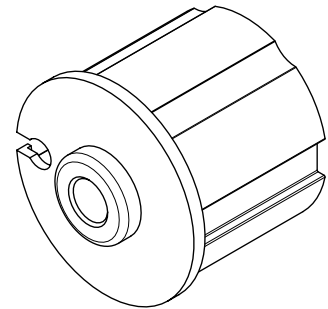
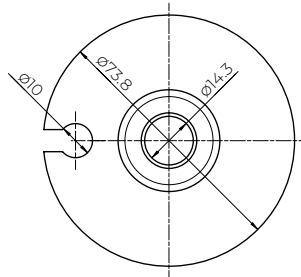
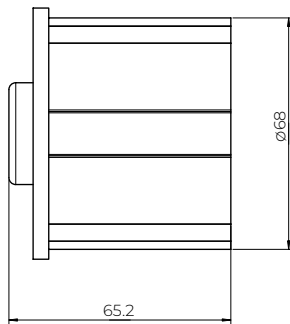
Available in the following models: Silver Plus, Australia, Jamaica, Jamaica Volant, Dakar



Ø70 pipe end cap with Ø14 hole

**Note**

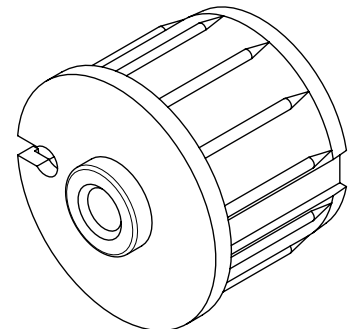
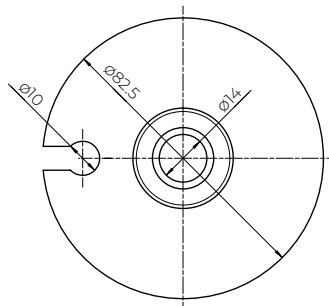
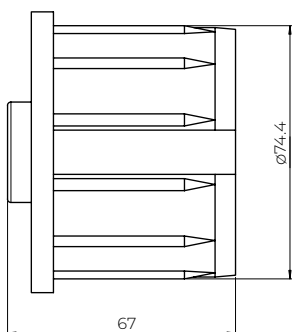
Available in the Corsica model



Pipe cap Ø78 with hole Ø14

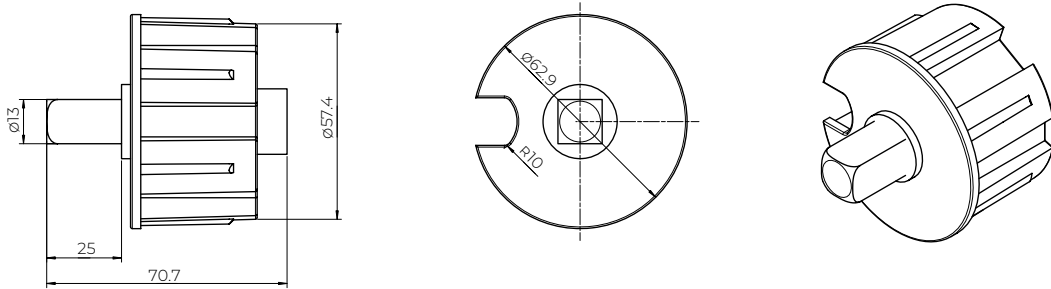
**Note:**

Available in the following models: Malta, Casablanca



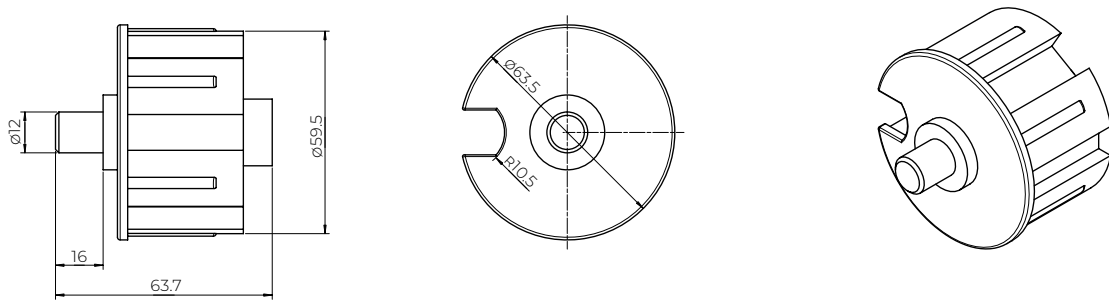
Ø63 tube end cap with 13x13x25 square spigot

**Note**  
Available on the Italia model Cassette



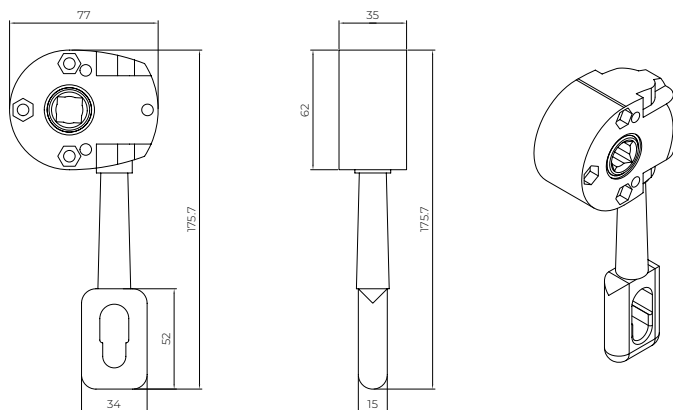
Ø63 pipe end cap with round spigot Ø12x16

**Note**  
Available on the Italia model Cassette



Crank gear

**Note**  
Available in the following models: Malta, Silver Plus, Australia, Jamaica, Jamaica Volant, Palladio, Dakar, Casablanca, Italia Handrail, Italia, Italia Cassette

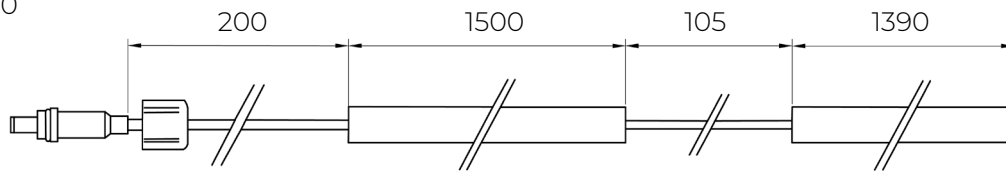


LED lights for use in awning arms

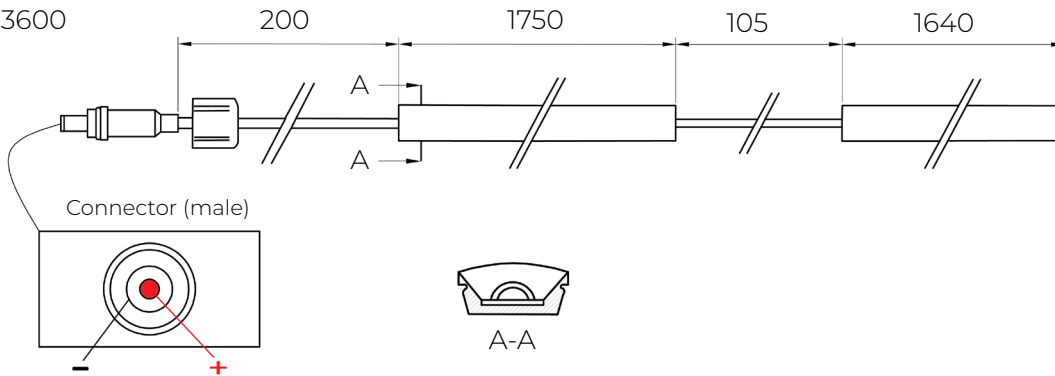
**Note:**

LED strips are available in the following models: AUSTRALIA, JAMAICA, JAMAICA VOLANT, PALLADIO, CORSICA

LED 3100



LED 3600



**Note:**

The cable sheath must be inserted into the profile; both ends must be sealed.

SEL-1 silicone profiles with COB LED strip

Length of silicone profiles: 1500 + 1390 mm, 1750 + 1640 mm

Cutting unit: 50 mm

Transparent PVC cable 200 mm, 2 × 0.35 mm<sup>2</sup>, with two-pole (male) IP65 connector

Transparent PVC cable 105 mm, 2 × 0.28 mm<sup>2</sup>, between the belts



## TECHNICAL SUPPLEMENT – AWNINGS

The product meets the CE safety requirements

### ALUPROF

#### Head Office

ul. Warszawska 153  
43-300 Bielsko-Biała, Poland  
Tel. +48 33 81 95 300  
fax +48 33 82 20 512  
e-mail: [aluprof@aluprof.eu](mailto:aluprof@aluprof.eu)  
[www.aluprof.com](http://www.aluprof.com)

#### ALUPROF SUN SHADING SOLUTIONS

ul. Wschodnia 23a  
45-449 Opole, Poland  
Tel. +48 77 55 32 100

#### TECHNICAL SUPPLEMENT – AWNINGS

We reserve the right to make technical changes.  
Valid from 2026.04.15